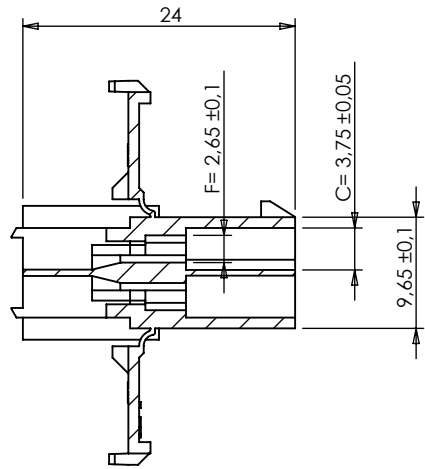
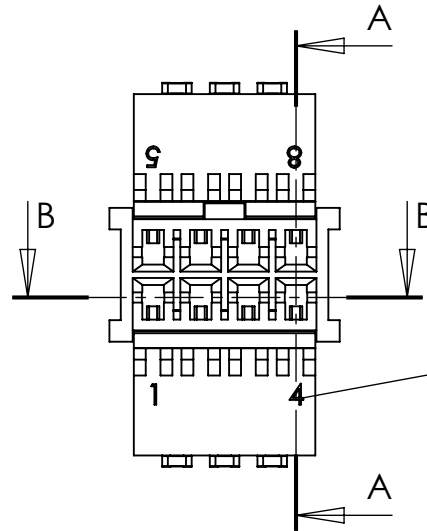


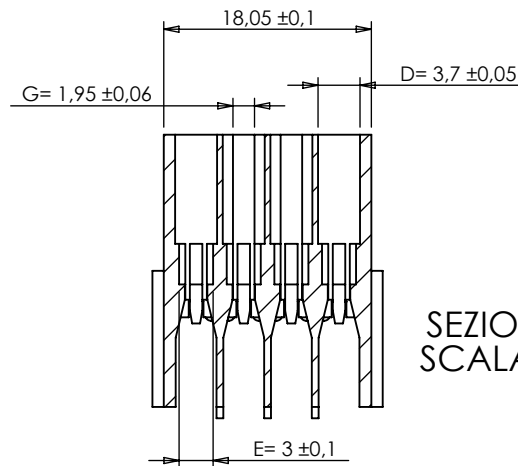
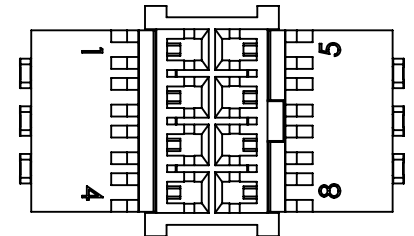
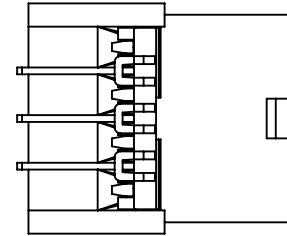
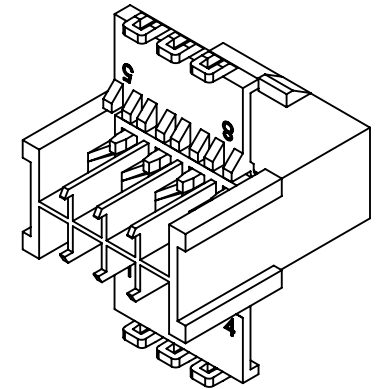
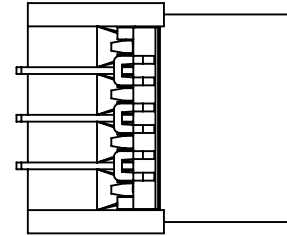
This drawing and all informations contained here can not be used or reproduced, integrity or partially, without written authorization by Colombo Sergio & Figli.



SEZIONE A-A
SCALA 1.5 : 1

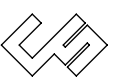
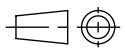


Way number in the housing, thickness 0,05 mm



SEZIONE B-B
SCALA 1.5 : 1

DIMENSIONS WITHOUT TOLERANCES				CS-MFT42F	PA66 UL94 V-2
∠ ±2°	0 - 6	±0.1	CS-MFT42FV0	PA66/66 UL94 V-0	
	6 - 30	±0.2	CS-MFT42FV0750NF	PA66 UL94 V-0 GWIT 775	
	> 30	±0.3	CS-MFT42F-G	PA6 UL94 V-2 GWIT 775	
			PART NUMBER	MATERIAL	

INDEX	MODIFICATION	DATE
 COLOMBO SERGIO e Figli S.r.l. 20063 CERNUSCO S/N - VIA COMO, 11 TEL +39.02.9210.7404 - FAX +39.02.9210.0217 http://www.cscolombo.com - e-mail: info@cscolombo.com		
CHECKED BY Stefano Galimberti		DATE 18-04-2012
DRAWN BY Stefano Querzoli		DATE 18-04-2012
SCALE 1.5:1	CAD REFER Y:\dis\cs\mft\mftxxf\mftxxfa\tavole\	DESIGN UNITS METRIC
		WEIGHT
BASE CODE CS-MFT42F	DESCRIPTION MFT FEMALE CONNECTOR FOR PANEL, 4X2 POLES	
		INDEX 0 18-04-2012

E

D

C

B

A

1

1

2

2

3

3

4

4