

Withwave's Precision Test Adapters are designed based on precision microwave interconnection technologies. **This SMPM(F) to SMPM(F) adapter with Bullet type** is manufactured to precise microwave specifications and constructed with female gender on side and female gender side 2.

The precision microwave connector interfaces ensure an excellent microwave performance up to 67 GHz



■ Features

- Frequency range : DC to 67 GHz
- VSWR : 1.5 : 1(Max) @ 67 GHz
- Stainless steel (passivated)

■ Specification

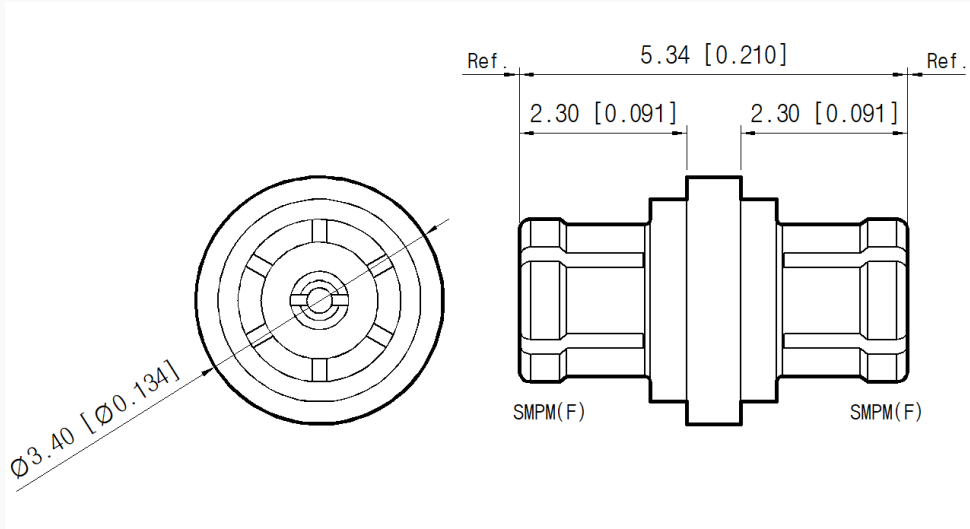
Scope	Specification	AD17F17FS1
Electrical	Impedance(Ohm)	50
	Operation Freq.(GHz)	DC to 67 GHz
	VSWR (Max)	1.2 : 1 @ 40 GHz 1.3 : 1 @ 50 GHz 1.5 : 1 @ 67 GHz
Material	Dielectric	Special dielectric
	Center Contact	Beryllium copper with gold plated
	Body	Beryllium copper with gold plated

* RoHS Compliant

■ Drawing

Part No.: AD17F17FS1

Unit : mm[inch]



■ Test Result

▪ Frequency : 10 MHz to 67 GHz

