

Edgemax LED Module



Features

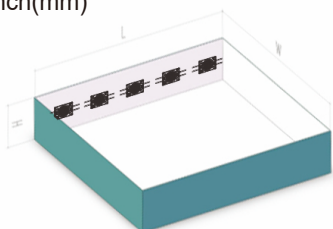
- Chain of 30 LED modules with single LED each.
- High efficiency LED.
- High color consistency.
- Beam characteristic: 18 × 40°.
- Protection class of LED module: IP67.
- Flexible chain, can be split between any module.
- Mounting with screw or remounted double-sided adhesive tape possible.
- Fully integrated heat sink.
- Nominal life-time up to 50,000 h (at tc 50°C).
- Best for 120~300mm depth double side light boxes.
- Warranty : 5 years

Specification

Dimension	1.5*1.2"(37.5*29.5mm)
Power	2.4W±10%
Working voltage	12V
Driving mode	Constant current
Center distance	7.4"(188mm)
Cascading	30pcs
Working temp	-25~+50°C
Storage temp	-40~+85°C
IP grade	IP67

Application notes

Unit: inch(mm)



WLM-LED-ABS-12V-038030-3030-1

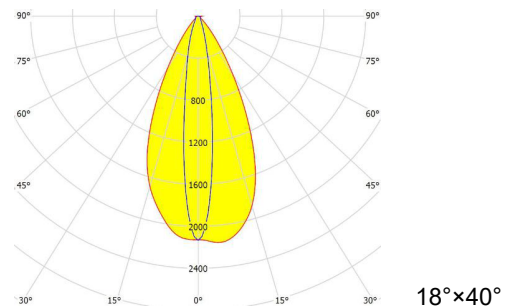
Technical data

Color temperature or Wavelength	6500K
CRI	>70
Typ.Flux per module	240 lm

Application data

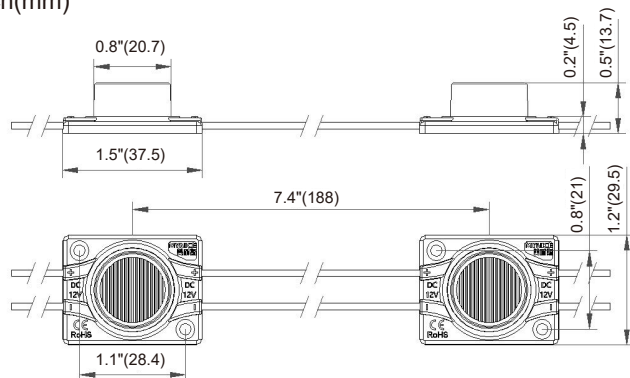
Module number per Chain	30 pcs
Max. module number per Chain	30 pcs
Distance of modules(wire)	5.9"(150mm)
Max.temperature on module tc	65 °C
Risk group(EN 62471:2008)	1
Certification list	CE/ENEC/RoHS/UL

Light distribution



Profile drawings

Unit: inch(mm)



		Depth	Brightness
1m² Light Box	10 Modules	H=4.7"(120mm)	2000 lux
		H=5.9"(150mm)	1650 lux
		H=7.1"(180mm)	1380 ux
		H=7.9"(200mm)	1170 lux
		H=9.8"(250mm)	950 lux