



**REED SWITCH DEVELOPMENTS CORP.**

2524 Norwood Court

Racine, WI 53403

Ph: (262)883-9060

[sales@reedswitchdevelopments.com](mailto:sales@reedswitchdevelopments.com)

**SPECIFICATION SHEET**

**2020-1710-100**

Alternate Part Number:

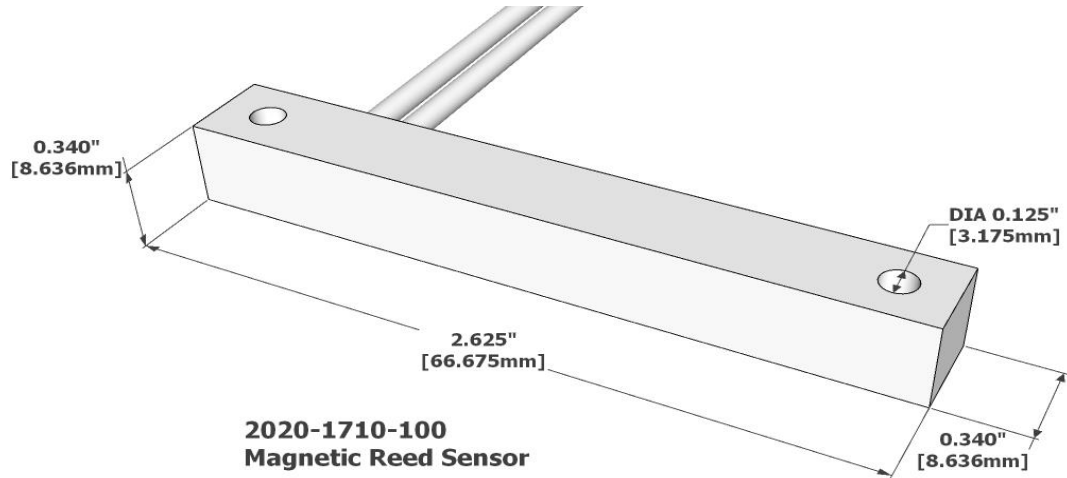
**AM2020-1710-10-01**

Active / Equivalent Part Numbers:

2020-1710-100 - Magnetic Reed Sensor Only

AM2020-1710-10-01 - Magnetic Reed Sensor Only

Sensor (Reed) - Specifications		1710	
Physical	Configuration	SPDT	
	Form	C	
	Contact Position	OFFSET	
	Glass L	32.89	mm
	Glass D	5.33	mm
	Total L*	85.98	mm
	Wire D	1.02	mm
	Gap Location	N/A	
	Mount Spec*	THRU	
	Contact Material	TUNGSTEN	
	Max Vibration Resistance	N/A	G
	Max Shock Resistance (11ms)	N/A	G
	Lead Tensile Strength	N/A	KG
	Operating	Pull in (+/- 2AT)*	50 - 65
Drop out*		N/A	AT
Operate Time		4.00	ms
Bounce Time		N/A	ms
Release Time		3.90	µs
Resonant Frequency		N/A	Hz
Max Operating Frequency		N/A	Hz
Operating Temperature Range		-40 - 105	°C
Storage Temperature		N/A	°C
Electrical		DC Contact Rating	100
	AC Contact Rating	N/A	VA
	DC Switching Voltage	120	VDC
	AC Switching Voltage	85	VAC
	DC Switching Current	3.00	A
	AC Switching Current	3.00	A
	DC Max Carry Current	3.60	A
	AC Max Carry Current	3.60	A
	Min Breakdown Voltage	150	VDC
	Max Initial Contact Resistance	500	mOhm
	Typical Initial Contact Resistance	N/A	mOhm
	Max Contact Capacitance	1.60	pF
Min Insulation Resistance	10 <sup>10</sup>	Ohm	



**2020-1710-100  
Magnetic Reed Sensor**

All measurements are in Inches [millimeters]

**Sensor - Wire/Cable Characteristics (cont.)**

Type	Wire
Conductor Count	3
Length	6.0"/152.4mm
Colors	RED, BLK, WHT
Insulation Material	PVC
Gauge	22 AWG
Stranded Copper	7 STR-TC
Maximum Temp	105°C

**Conductor Configuration**

Common (COM) - WHITE
Normally Open (NO) - RED
Normally Closed (NC) - BLACK

For More Information Visit:

[www.reedswitchdevelopments.com](http://www.reedswitchdevelopments.com)

Or Call Us At:

262-883-9060

**Housing Characteristics 2020**

Rectangular w/ Mounting Holes	
Length	2.625"/66.68mm
Width	0.340"/8.64mm
Height	0.340"/8.64mm
Material	Celanex 3316

**Standard Sensor/Actuator - Min. Actuation Distance**

2020-4100-000	0.69"/17.5mm
---------------	--------------

**Assembly Certifications**

UL Recognized (File #: E102207)	Y
RoHS / Reach Compliant	Y
Conflict Free Material	Y

REV DATE: 10/06/2021

\* Pre-processed, bare reed element

DISCLAIMER NOTICE: INFORMATION FURNISHED IS PROPRIETARY, AND IS BELIEVED TO BE ACCURATE AND RELIABLE, AND IS SUBJECT TO CHANGE WITHOUT NOTICE. IT SHALL BE THE RESPONSIBILITY OF THE BUYER TO ENSURE THAT THE GOODS ARE SUFFICIENT AND SUITABLE FOR THE PURPOSE OR PURPOSES INTENDED (WHETHER BY THE BUYER OR BY ANY THIRD PARTY) AND THAT THEIR CAPACITY AND PERFORMANCE IS NOT ADVERSELY AFFECTED BY ANY ITEMS USED IN THEIR INSTALLATION (WHERE RELEVANT) AND/OR IN CONNECTION WITH THEM.

**MBE Certified - State of Wisconsin - MFR CAGE CODE: 32604**

[www.reedswitchdevelopments.com](http://www.reedswitchdevelopments.com)