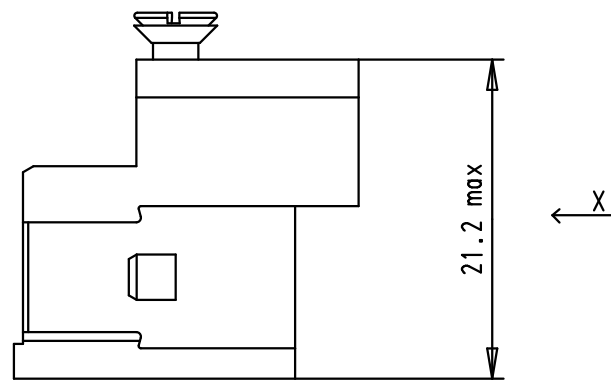
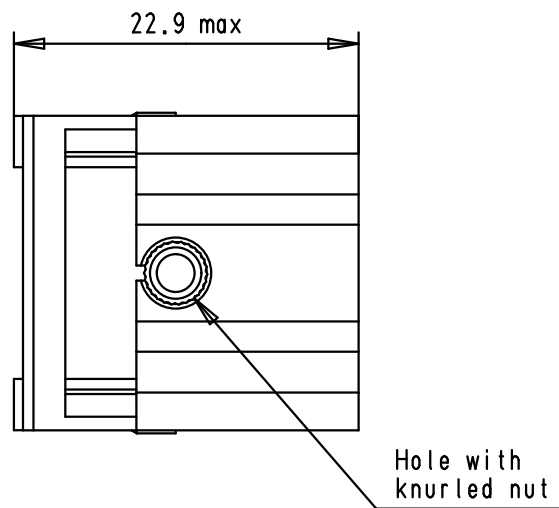


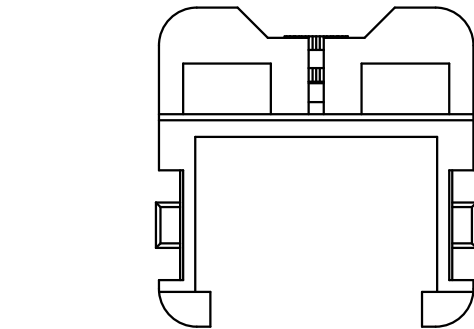
Alle Rechte vorbehalten/ All rights reserved



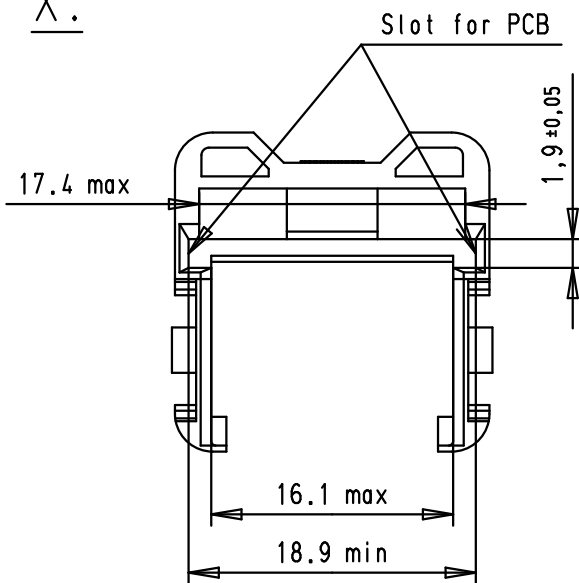
↑ W



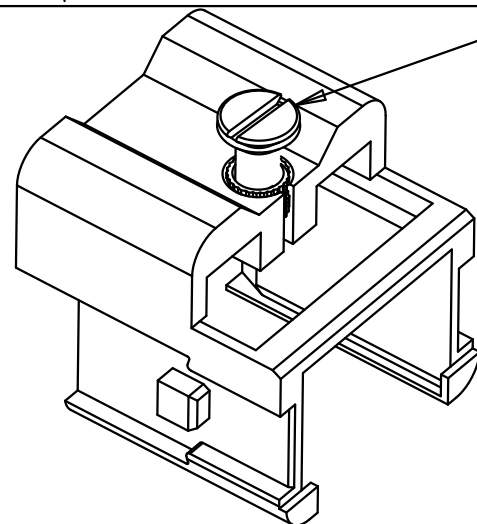
Hole with knurled nut



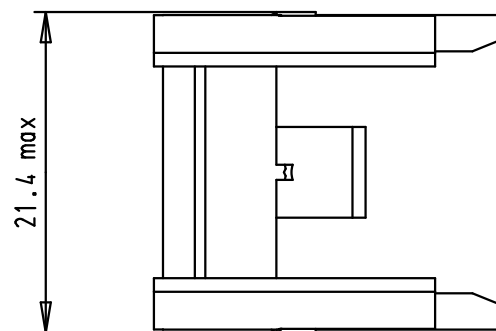
X:



The adapter is delivered with screw + seal

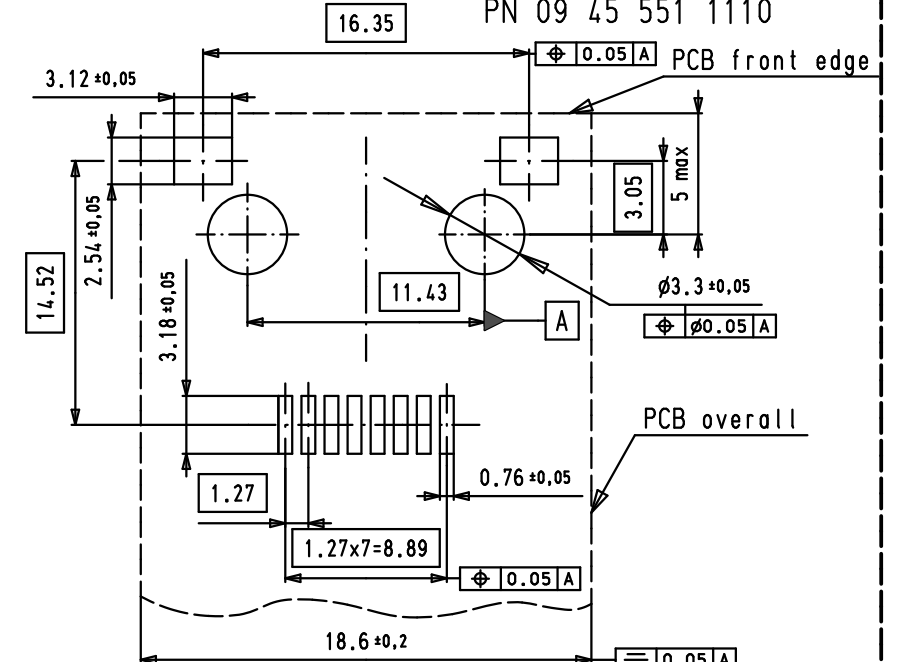


W:

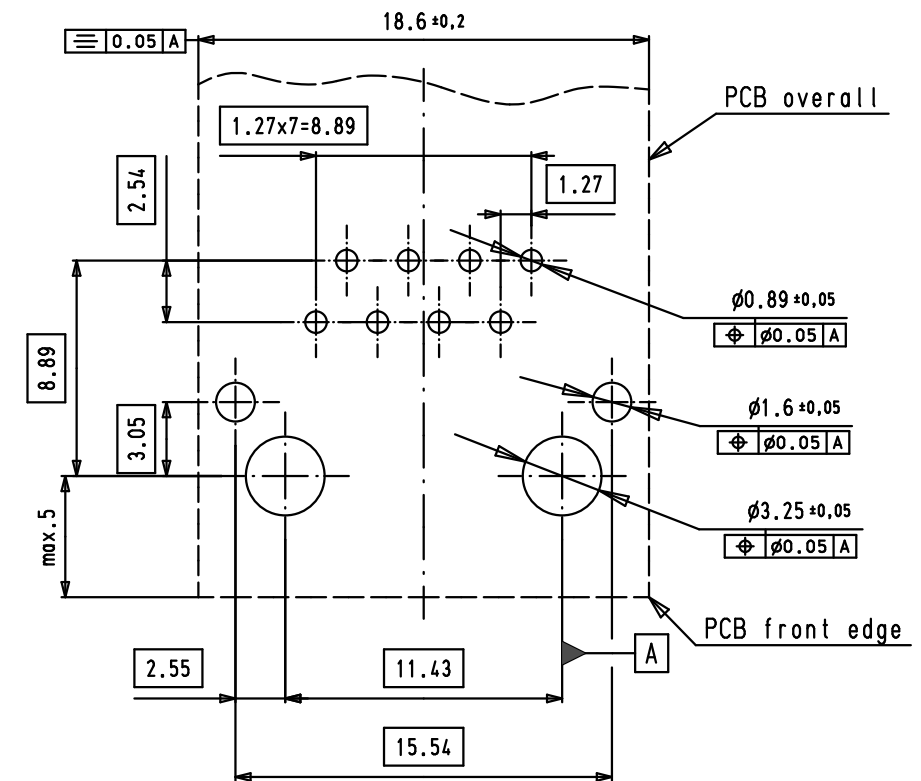


PCB dimensions of RJ 45 Jacks Cat. 5

Solder variant SMD, 90° angled: PN 09 45 551 1100
PN 09 45 551 1110



Solder variant THT, 90° angled: PN 09 45 551 1102



			Det.	Name	 All Dim. in mm Orig. Size DIN A3	Han 3A RJ 45 Adapter for fixing of RJ45 fixed female without fixing clip for Han3A gender charger and PFT angled	Maßstab/ Scale
		Detail.	06/06/08	AB			2:1
		Insp.					
		Stand.					Blatt/ Page
35060	24/06/08	AB	HARTING EURL F-95972 Paris				TB 09 45 515 0022
35054	06/06/08	AB					
Mod.	Det.	Name					