



Overview

The KEMET MPEV metal composite inductors are ideal for use in DC to DC switching power supplies for automotive applications. The metal composite core has high saturation characteristics maintaining functionality with high current transients and is characterized by temperature stable inductance. The high heat resistance property of the inductor has been further improved and allows for operating temperature up to +180°C.

Applications

Automotive ECU applications such as:

- LED headlights
- Meter cluster panels
- Head-up displays (HUD)
- Electric water pumps (EWP)
- Electric oil pumps (EOP)
- Electric power steering (EPS)

Benefits

- Metal composite powder
- Shielded construction, SMD configuration
- Inductance range from 0.47 – 47.00 μH
- Operating temperature up to +180°C
- Low acoustic noise
- Low magnetic flux leakage
- AEC-Q200 qualified



Part Number System

MPEV	1	D0630	L	1R5
Series	Version	Size Code	Inductor	Inductance Code μH
MPEV	1	D0630 = 6x6x3.0 mm D1040 = 10x10x4.0 mm		<p>The first two digits represent the inductance value. The third digit indicates the number of zeros to be added. R = decimal point</p> <p>Examples: 100 = 10.00 μH R68 = 0.68 μH 1R5 = 1.50 μH 101 = 100.00 μH</p>

Performance Characteristics

Item	Performance Characteristics
Operating Temperature	-55°C to +180°C (including self-temperature rise)
Rated Inductance Range	0.47 – 47.00 µH at 100 kHz, 1 mA
Inductance Tolerance	±20%
Rated DC Resistance Range	2.4 – 186.3 mΩ maximum
Rated Current Range	2.7 – 26.4 A

Table 1 – Ratings & Part Number Reference

Part Number	Inductance (µH) at 100 kHz, 1 mA	Inductance Tolerance	DC Resistance (mΩ) Typical	DC Resistance (mΩ) Maximum	Rated Current (A)			Self-Resonance Frequency (MHz)
					I _{rms} ¹ (Reference)	I _{sat} ² (Reference)	I _{sat} ³ (Reference)	
MPEV1D0630LR47	0.47	±20%	3.50	4.00	18.7	15.0	21.0	70.0
MPEV1D0630LR68	0.68	±20%	5.30	6.20	15.1	11.5	17.0	55.0
MPEV1D0630L1R0	1.00	±20%	7.10	8.20	13.1	9.0	13.0	43.0
MPEV1D0630L1R5	1.50	±20%	11.00	12.70	10.5	7.0	11.0	38.0
MPEV1D0630L2R2	2.20	±20%	15.90	18.30	8.7	6.5	9.0	30.0
MPEV1D0630L3R3	3.30	±20%	26.30	30.30	6.8	5.0	7.0	26.0
MPEV1D0630L4R7	4.70	±20%	31.80	36.70	6.2	4.5	6.5	21.0
MPEV1D0630L6R8	6.80	±20%	44.20	50.90	5.2	4.0	5.5	16.0
MPEV1D0630L100	10.00	±20%	67.80	78.00	4.2	3.5	4.5	15.0
MPEV1D0630L150	15.00	±20%	113.20	130.20	3.3	3.0	4.0	13.0
MPEV1D0630L220	22.00	±20%	162.00	186.30	2.7	2.5	3.5	9.6
MPEV1D1040LR47	0.47	±20%	2.10	2.40	26.4	29.0	42.0	65.0
MPEV1D1040LR68	0.68	±20%	2.70	3.20	23.1	23.0	34.5	47.0
MPEV1D1040L1R0	1.00	±20%	3.30	3.80	21.1	19.5	29.0	35.0
MPEV1D1040L1R5	1.50	±20%	4.60	5.40	17.7	18.0	26.0	30.0
MPEV1D1040L2R2	2.20	±20%	6.80	7.90	14.6	13.0	18.5	23.0
MPEV1D1040L3R3	3.30	±20%	11.10	12.80	11.4	11.0	15.0	18.0
MPEV1D1040L4R7	4.70	±20%	13.80	15.90	10.3	10.0	14.0	17.0
MPEV1D1040L6R8	6.80	±20%	20.90	24.10	8.3	8.0	11.5	14.0
MPEV1D1040L100	10.00	±20%	29.60	34.10	7.0	7.5	10.5	11.0
MPEV1D1040L150	15.00	±20%	44.50	51.20	5.7	5.5	8.5	8.0
MPEV1D1040L220	22.00	±20%	66.20	76.10	4.7	5.0	7.0	7.0
MPEV1D1040L330	33.00	±20%	104.10	119.70	3.7	3.5	5.0	5.0
MPEV1D1040L470	47.00	±20%	158.80	182.60	3.0	3.0	4.0	4.5
Part Number	Inductance (µH) at 100 kHz, 1 mA	Inductance Tolerance	DC Resistance (mΩ) Typical	DC Resistance (mΩ) Maximum	I _{rms} ¹	I _{sat} ²	I _{sat} ³	Self-Resonance Frequency (MHz)
					Rated Current (A)			

¹ T = 40 K rise at rated current

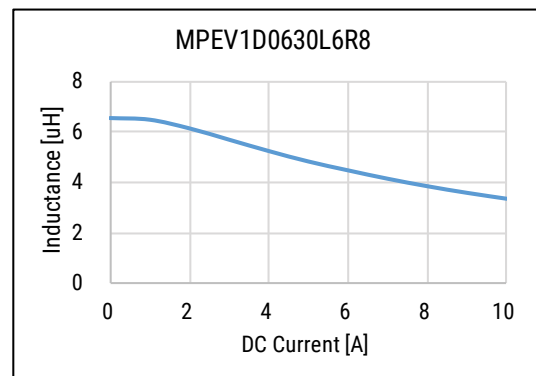
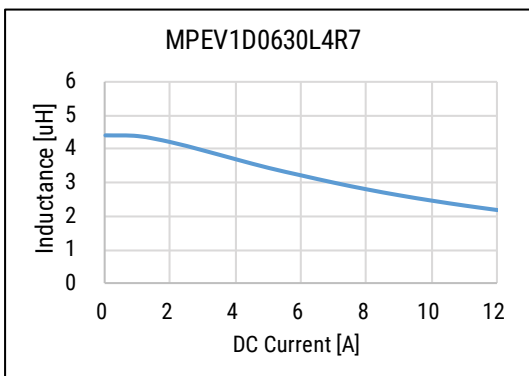
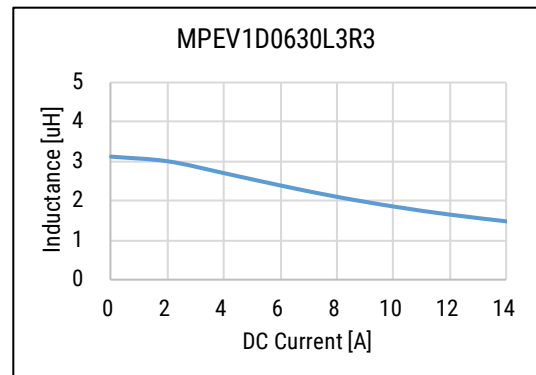
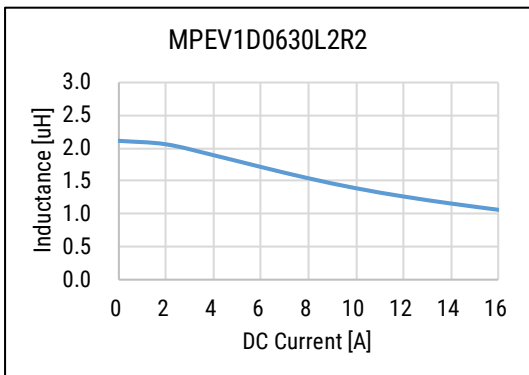
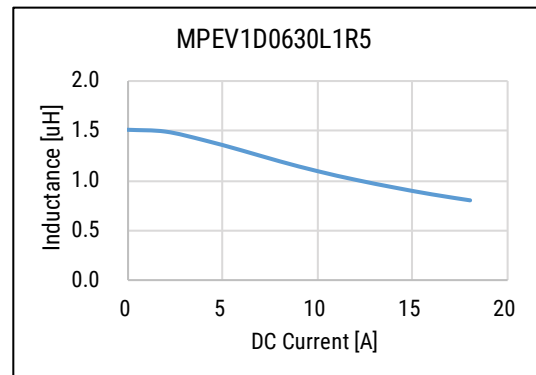
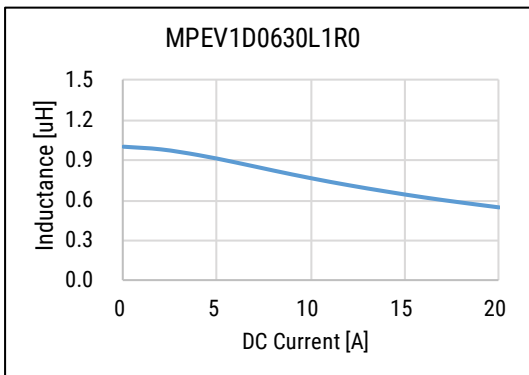
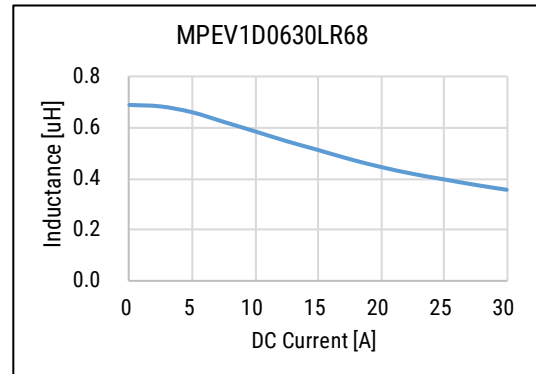
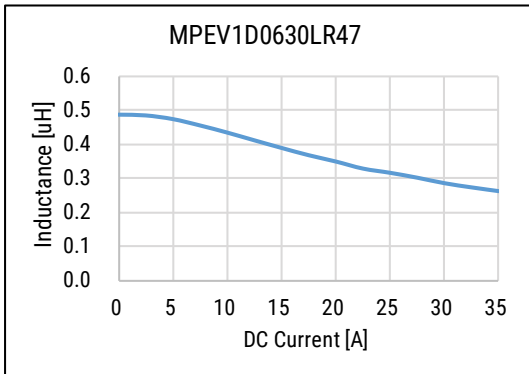
² Inductance drop 20% at rated current

³ Inductance drop 30% at rated current

All electrical characteristics data is referenced to 25°C.

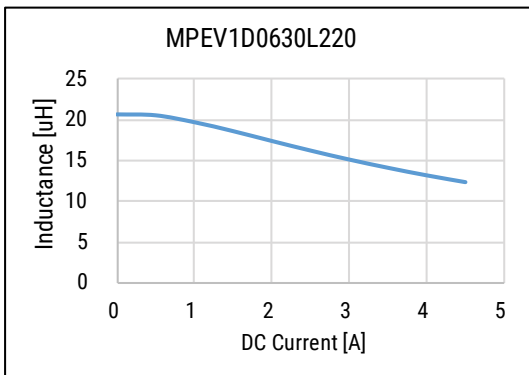
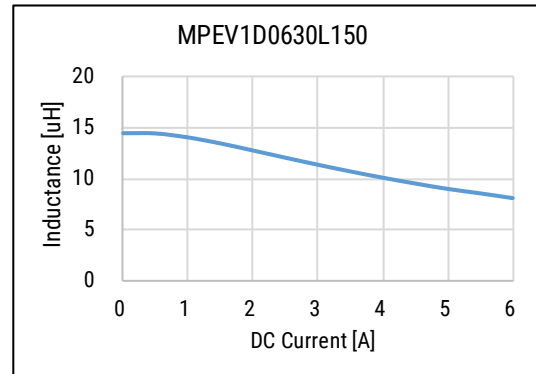
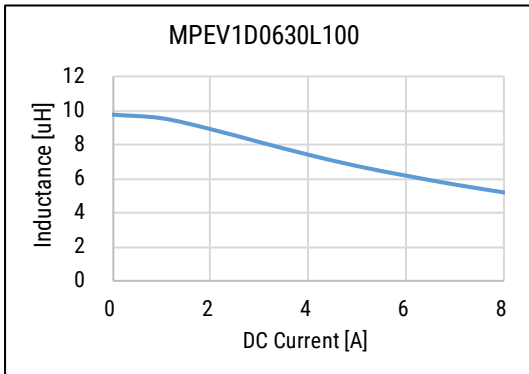
DC-Superposed Characteristics

MPEV1D0630



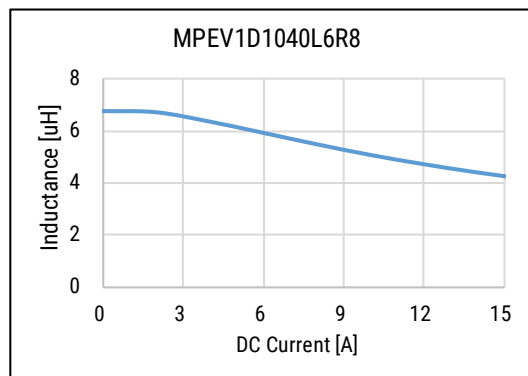
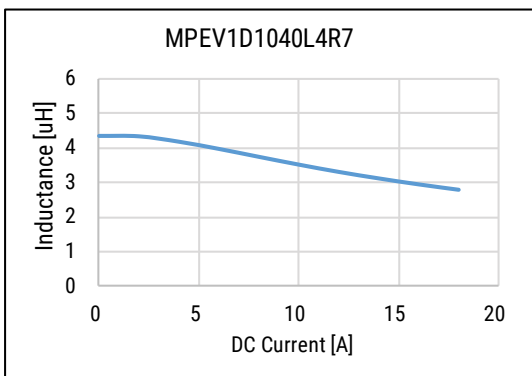
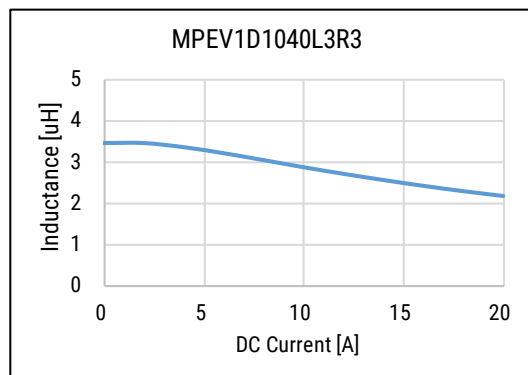
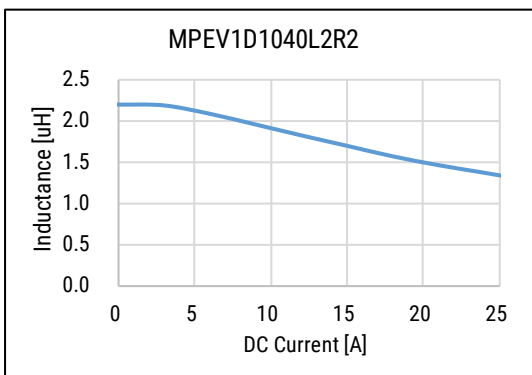
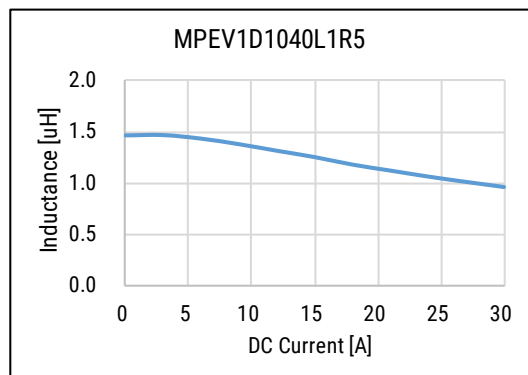
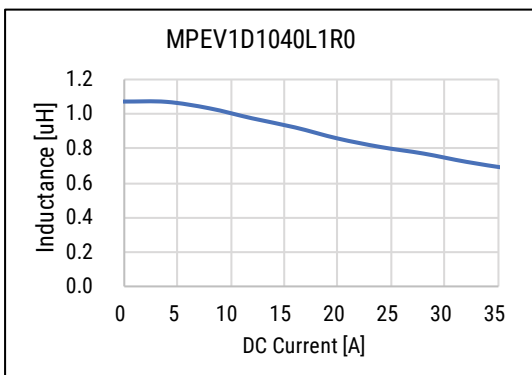
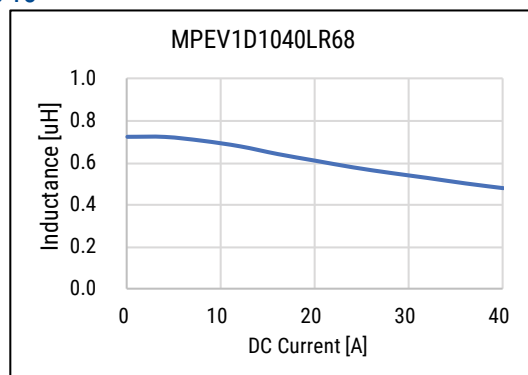
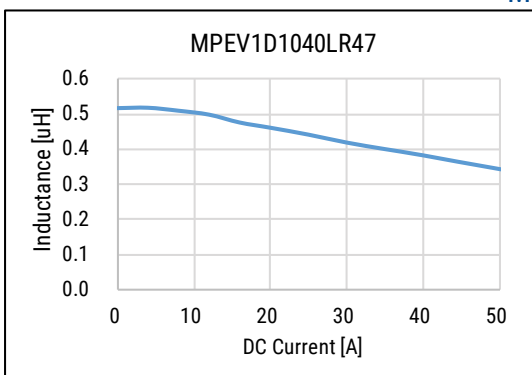
DC-Superposed Characteristics cont.

MPEV1D0630 cont.



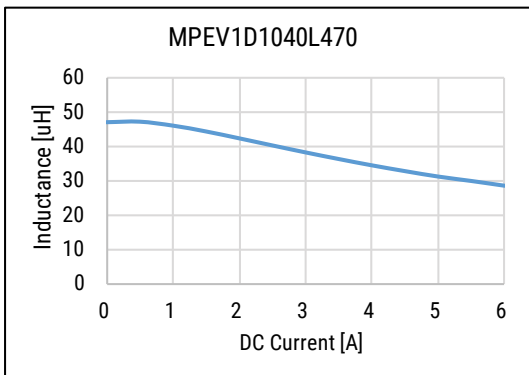
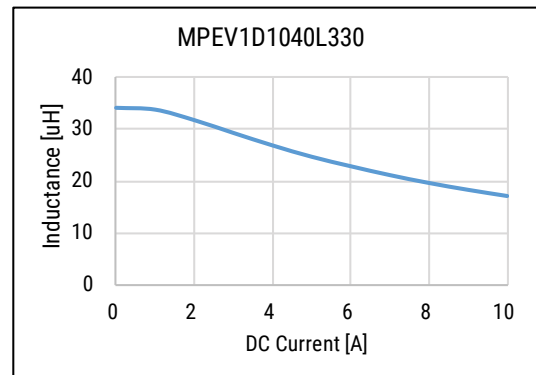
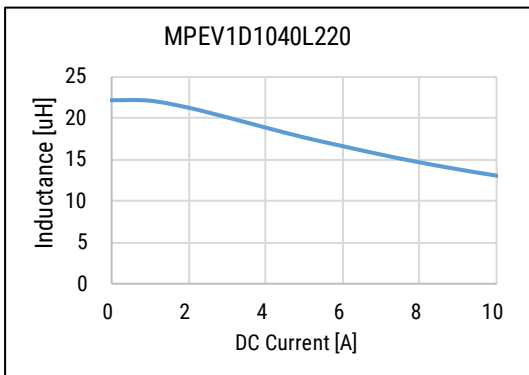
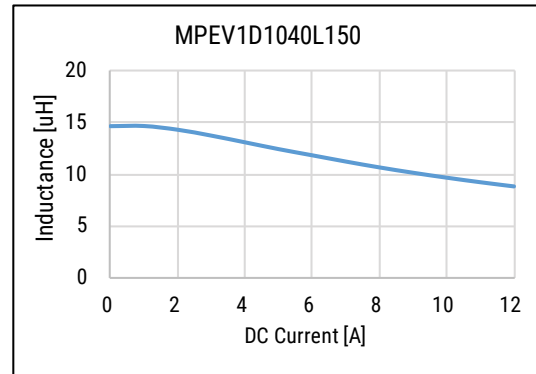
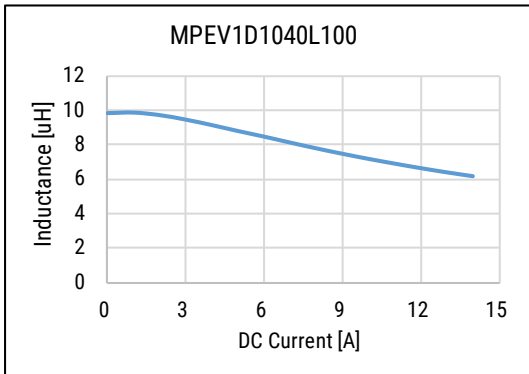
DC-Superposed Characteristics cont.

MPEV1D1040

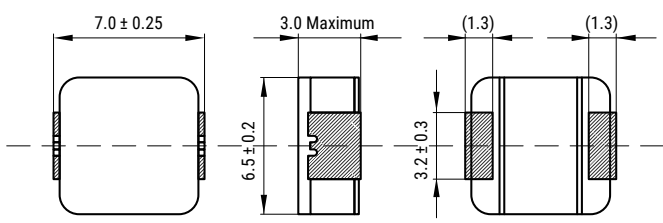
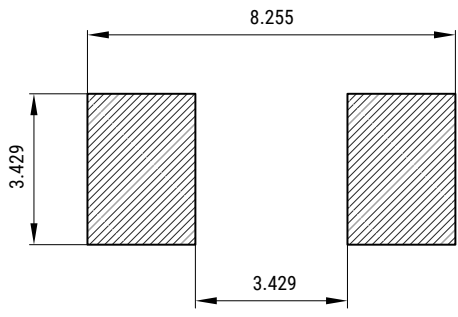
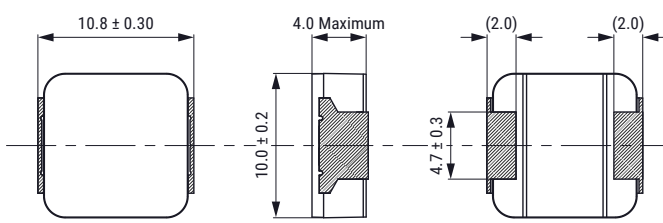
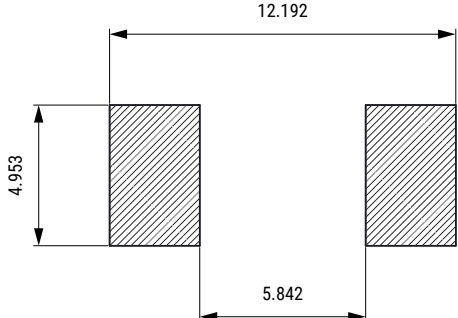
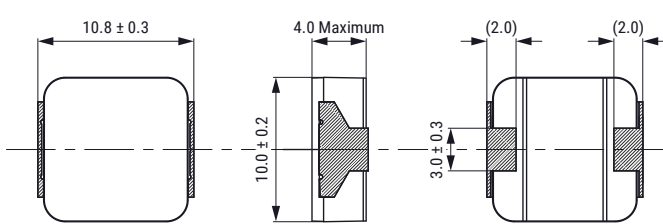
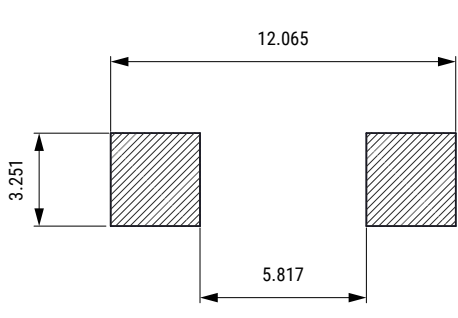


DC-Superposed Characteristics cont.

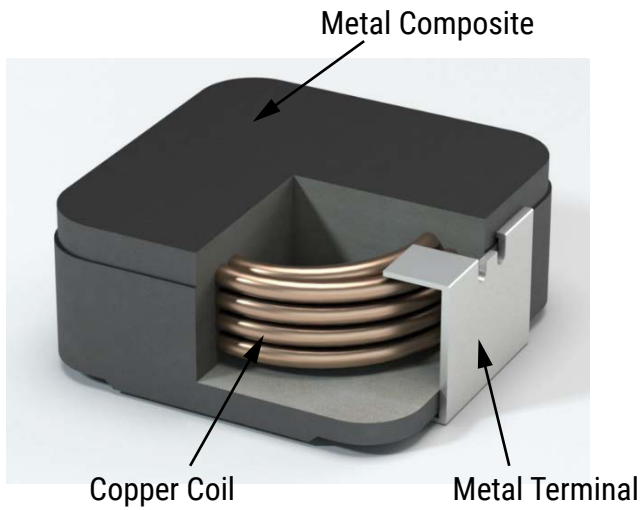
MPEV1D1040 cont.



Dimensions

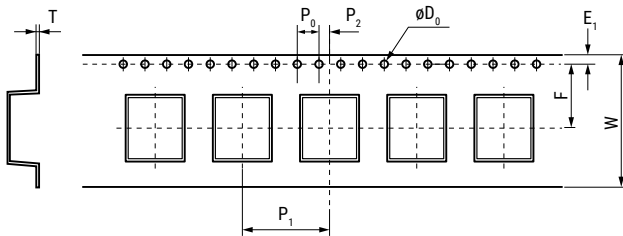
Case Size	Dimensions (mm)	Land Pattern (mm)
MPEV1D0630		
MPEV1D1040 For values up to 1.5 μH or below		
MPEV1D1040 For values from 2.2 μH or above		

Construction



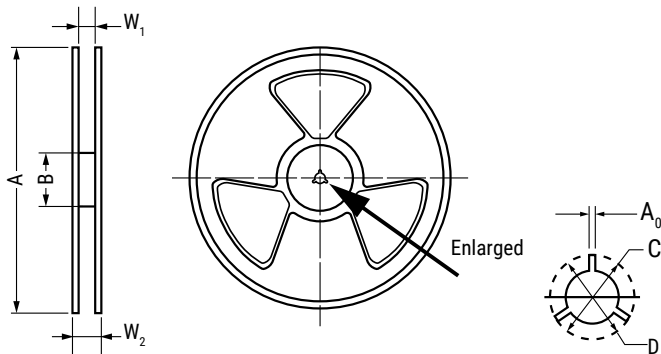
Taping Specification

Dimensions of Indented Square Hole Plastic Tape



Case Size	Reel Quantity		Dimensions (mm)							
			W	F	E_1	P_1	P_2	P_0	ϕD_0	T
MPEV1D0630	1,500	Tolerance	± 0.30	± 0.10	± 0.10	± 0.10	± 0.10	± 0.10	± 0.10	± 0.05
		Nominal	16.00	7.50	1.75	12.00	2.00	4.00	1.55	0.40
MPEV1D1040	500	Tolerance	± 0.30	± 0.10	± 0.10	± 0.10	± 0.10	± 0.10	± 0.05	± 0.05
		Nominal	24.00	11.50	1.75	16.00	2.00	4.00	1.55	0.40

Reel Specifications



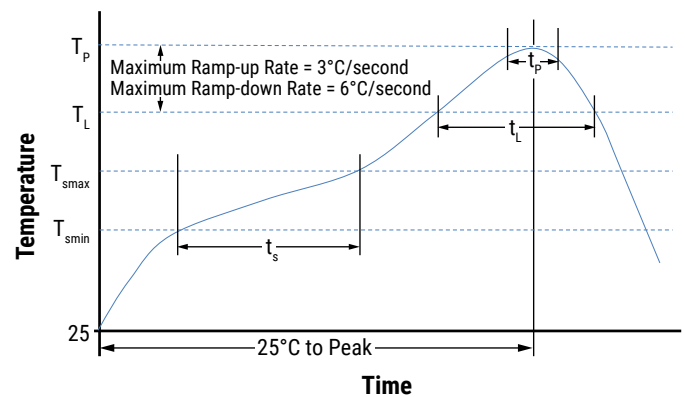
Case Size		Dimensions (mm)						
		A	B	C	D	A ₀	W ₁	W ₂
MPEV1D0630	Tolerance	±2.0	±2.0	±0.2	±0.8	±0.5		
	Nominal	∅330	∅100	∅13.2	∅21.5	2.5	16.9	21.3
MPEV1D1040	Tolerance	±3.0	±2.0	±0.5	±0.8	±0.5		
	Nominal	∅330	∅100	∅13.0	∅21.5	2.6	25.0	29.4

Soldering Process

Recommended Reflow Soldering Profile

Reference ICP/JEDEC J-STD-020E

Profile Feature	Pb-Free Assembly
Preheat/Soak	
Temperature Minimum (T_{smin})	150°C
Temperature Maximum (T_{smax})	200°C
Time (t_s) from T_{smin} to T_{smax}	60 – 120 seconds
Ramp-Up Rate (T_L to T_p)	3°C/second maximum
Liquidous Temperature (T_L)	217°C
Time Above Liquidous (t_L)	60 – 150 seconds
Peak Temperature (T_p)	250°C for MPEV1D0630 245°C for MPEV1D1040
Time within 5°C of Maximum Peak Temperature (t_p)	30 seconds maximum
Ramp-Down Rate (T_p to T_L)	6°C/second maximum
Time 25°C to Peak Temperature	8 minutes maximum



Environmental Compliance

All KEMET SMD Inductors are RoHS compliant.



Handling Precautions

Inductors should be stored in normal working environments. While the inductors themselves are quite robust in other environments, solderability will be degraded by exposure to high temperatures, high humidity, corrosive atmospheres, and long term storage.

KEMET recommends that maximum storage temperature not exceed 40°C and maximum storage humidity not exceed 70% relative humidity. Atmospheres should be free of chlorine and sulfur bearing compounds. Temperature fluctuations should be minimized to avoid condensation on the parts.

For optimized solderability, inductors' stock should be used promptly, preferably within six months of receipt.

KEMET Electronics Corporation Sales Offices

For a complete list of our global sales offices, please visit www.kemet.com/sales.

Disclaimer

YAGEO Corporation and its affiliates do not recommend the use of commercial, automotive, and/or COTS grade products for high reliability applications or manned space flight.

All product specifications, statements, information and data (collectively, the "Information") in this datasheet are subject to change. The customer is responsible for checking and verifying the extent to which the Information contained in this publication is applicable to an order at the time the order is placed. All Information given herein is believed to be accurate and reliable, but it is presented without guarantee, warranty, or responsibility of any kind, expressed or implied.

Statements of suitability for certain applications are based on KEMET Electronics Corporation's ("KEMET") knowledge of typical operating conditions for such applications, but are not intended to constitute – and KEMET specifically disclaims – any warranty concerning suitability for a specific customer application or use. The Information is intended for use only by customers who have the requisite experience and capability to determine the correct products for their application. Any technical advice inferred from this Information or otherwise provided by KEMET with reference to the use of KEMET's products is given gratis, and KEMET assumes no obligation or liability for the advice given or results obtained.

Although KEMET designs and manufactures its products to the most stringent quality and safety standards, given the current state of the art, isolated component failures may still occur. Accordingly, customer applications which require a high degree of reliability or safety should employ suitable designs or other safeguards (such as installation of protective circuitry or redundancies) in order to ensure that the failure of an electrical component does not result in a risk of personal injury or property damage.

Although all product-related warnings, cautions and notes must be observed, the customer should not assume that all safety measures are indicated or that other measures may not be required.

When providing KEMET products and technologies contained herein to other countries, the customer must abide by the procedures and provisions stipulated in all applicable export laws and regulations, including without limitation the International Traffic in Arms Regulations (ITAR), the US Export Administration Regulations (EAR) and the Japan Foreign Exchange and Foreign Trade Act.

KEMET is a registered trademark of KEMET Electronics Corporation.