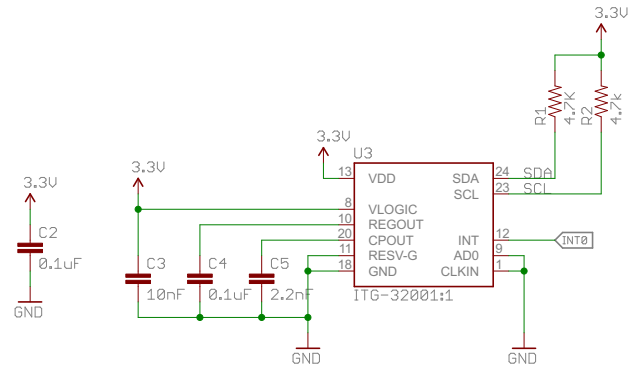
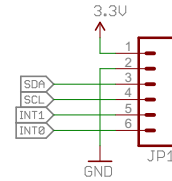


## GYRO

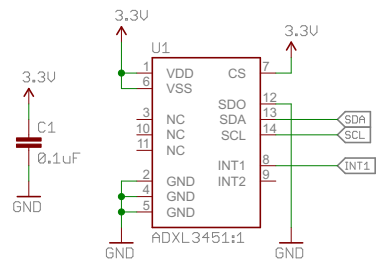


0xD0 for write, 0xD1 for read

## HEADERS



## ACCEL



0xA6 for write, 0xA7 for read



Released under the Creative Commons Attribution Share-Alike 3.0 License  
<http://creativecommons.org/licenses/by-sa/3.0>



TITLE: IMU\_Digital\_Combo\_Board\_-\_6\_Degrees\_of\_Freedom\_-\_ITG3200\_-\_ADXL345

Design by: Weiss  
 Revision: Blake Jensen

REV:  
v11

Date: 2/6/2014 2:42:58 PM

Sheet: 1/1