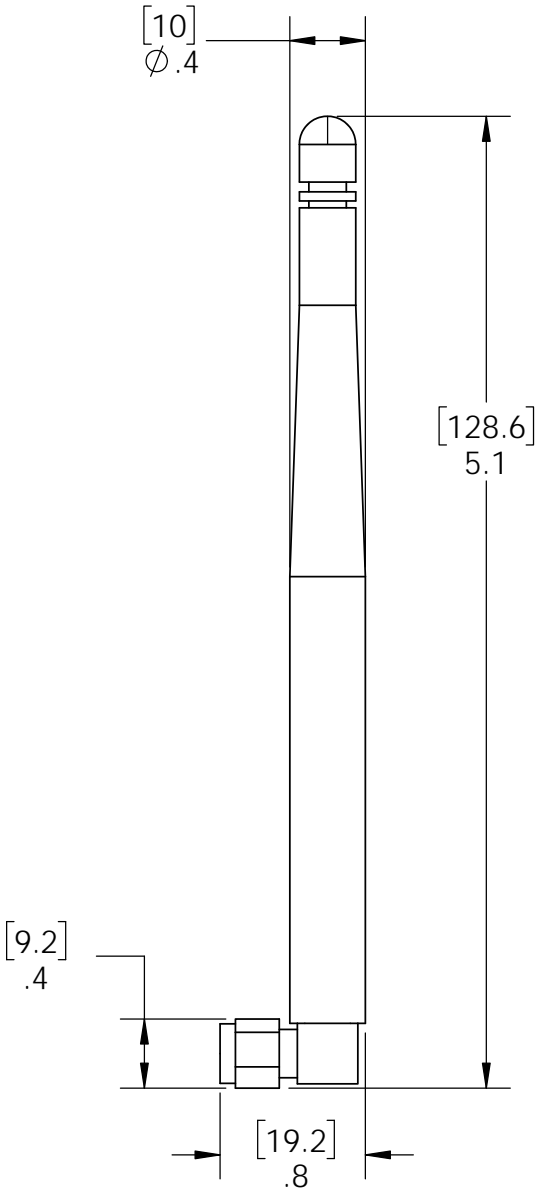


REVISIONS

ZONE	REV.	CHANGE DESCRIPTION	APPROVED	DATE
ALL	A000	CREATE	EMJ	12/2/16

NOTES:  
 INGRESS PROTECTION IP65  
 UV PROTECTION



<p>THIRD ANGLE PROJECTION</p>	<p>COMMENTS:</p>	SYNAPSE WIRELESS INC. 6723 ODYSSEY DR HUNTSVILLE, AL 35806							
<p>UNLESS OTHERWISE SPECIFIED:          DIMENSIONS ARE IN INCHES [MM]          TOLERANCES:          ANGULAR: MACH ±1° BEND ±3°          TWO PLACE DECIMAL ±.01          THREE PLACE DECIMAL ±.005</p>	<p>INTERPRET GEOMETRIC TOLERANCING PER: ANSI</p>	<p>TITLE:  <b>OUTDOOR FIXED RIGHT ANGLE ANTENNA, 1.5 DBI GAIN, ANT-ORB-1.5-1</b></p>							
<p>PROPRIETARY AND CONFIDENTIAL          THE INFORMATION CONTAINED IN THIS DRAWING IS THE SOLE PROPERTY OF SYNAPSE WIRELESS, INC. ANY REPRODUCTION IN PART OR AS A WHOLE WITHOUT THE WRITTEN PERMISSION OF SYNAPSE WIRELESS, INC IS PROHIBITED.</p>	<p>MATERIAL</p> <p>FINISH</p> <p>DO NOT SCALE DRAWING</p>	<table border="1"> <tr> <td>SIZE</td> <td>DWG. NO.</td> <td>REV</td> </tr> <tr> <td><b>A</b></td> <td>120-035081-000</td> <td>A000</td> </tr> </table>	SIZE	DWG. NO.	REV	<b>A</b>	120-035081-000	A000	<p>SHEET 1 OF 1</p>
SIZE	DWG. NO.	REV							
<b>A</b>	120-035081-000	A000							