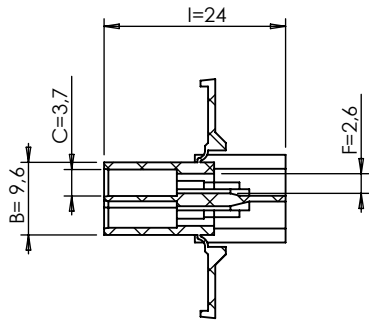


D

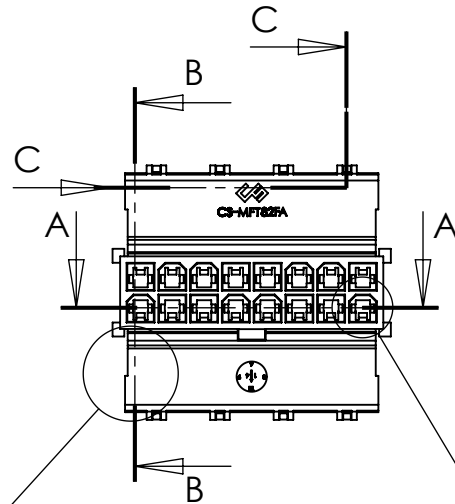
C

B

A

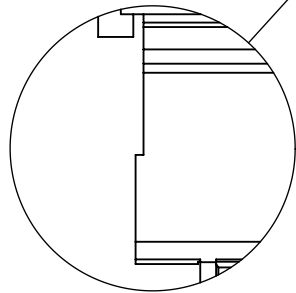
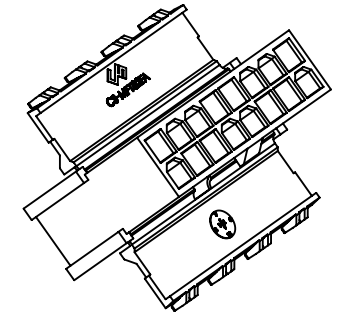
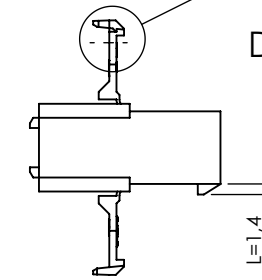


SEZIONE B-B

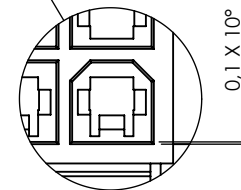


SEZIONE C-C

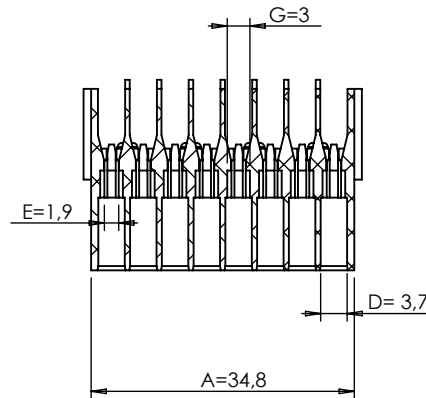
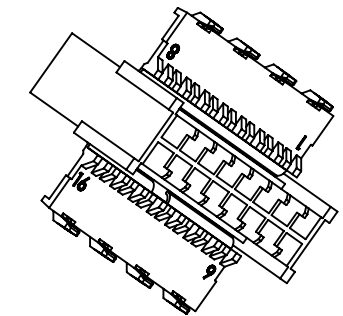
DETTAGLIO H
SCALA 3 : 1



DETTAGLIO G
SCALA 3 : 1



DETTAGLIO E
SCALA 3 : 1

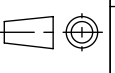


SEZIONE A-A

5	Modifica sportello: scaricata parte interna	26-02-2015
4	Inserito datario e nuovo termoplastico	16-06-2014
3	Aggiornate misure generali + modifica dettaglio D / Dimension updating + modify Detail D	11-07-2013
2	Smussi sulle cavità / Chamfer around the cavity (Detail F)	24-06-2013
1	Rinforzo ganci di chiusura sportello / Improved hook on secondary lock (Detail D)	10-12-2012
INDEX	MODIFICATION	DATE



CS S.r.l.
 20063 CERNUSCO S/N - VIA COMO, 11
 TEL +39.02.9210.7404 - FAX +39.02.9210.0217
 http://www.csconnectors.com - e-mail: info@csconnectors.com



CHECKED BY	DATE	DESIGN UNITS
Stefano Galimberti	26-02-2015	METRIC
DRAWN BY	DATE	WEIGHT
Luca Viscardi	26-02-2015	
CAD REFER	SIZE	SCALE
	A4	1:1
		INDEX 0
		15-02-2012

DIMENSIONS WITHOUT TOLERANCES		CS-MFT82F	PA66 UL94 V-2
A ±2°	0 - 6	±0.1	CS-MFT82FV0
	6 - 30	±0.2	PA66/66 UL94 V-0
	> 30	±0.3	CS-MFT82FSTY
		CS-MFT82FV0750NF	PA46 UL94 V-2
		CS-MFT82F-G	PA66 UL94 V-0 GWIT 775
		CS-MFT82F-162/05	PA6 UL94 V-2 GWIT 775
		PART NUMBER	MATERIAL
			PA66GF7-05 UL94-V2 GWIT 775°C

BASE CODE	DESCRIPTION
CS-MFT82F	MFT FEMALE CONNECTOR FOR PANEL, 8X2 POLES