

**SPECIFICATIONS**

Insulation Resistance: 1,000MΩ min. at 500V DC  
 Withstanding Voltage: 500V ACrms for 1 minute  
 Contact Resistance: 100mΩ at 1mA / 20mV max.  
 Voltage Rating: 5V DC  
 Current Rating: 0.5A max.  
 Operating Temp. Range: -30°C to +85°C  
 Mating Cycles: 100

**PART NUMBER**

FPS 009 - 4200-0



**MATERIALS AND FINISH**

Insulator: LCP  
 Contact: Copper Alloy, Ni-Au

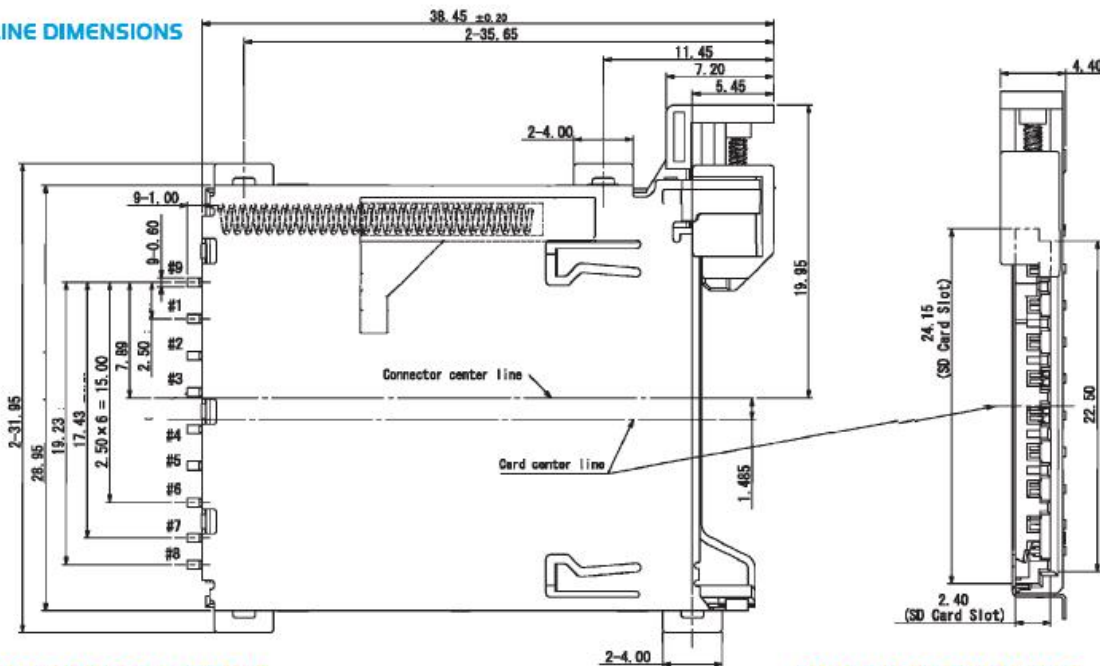
**FEATURES**

- Automatic locking function after insertion of SD card
- 2-point contact installation on all contact-terminals to ensure die-electric discontinuity prevention which may be caused by vibration and impact
- Zero sliding contact @100G shock (X Y Z direction)
- Metal shell cover with 4 GNDs (Solder tubs) to ensure EMI/ESD prevention performance
- RoHS2011/65/EU

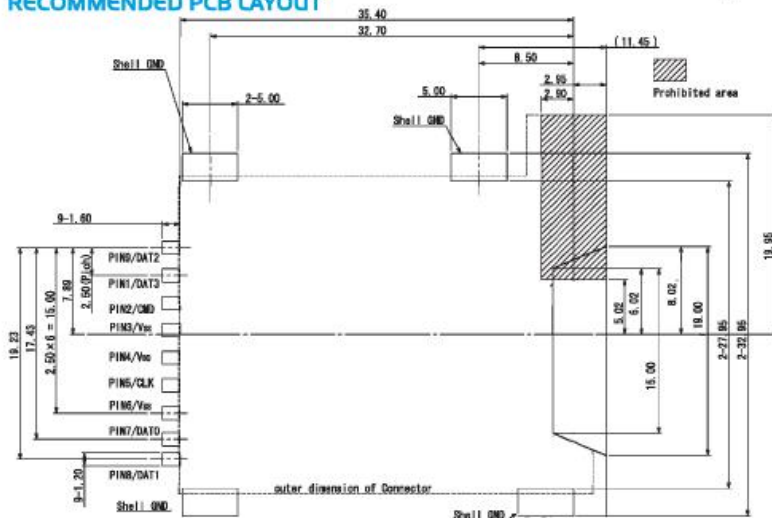
**AUTOMOTIVE COMPLIANT**



**OUTLINE DIMENSIONS**



**RECOMMENDED PCB LAYOUT**



**CARD INSERTION DETAILS**

