

<b>NO:</b> Fs - 016	<b>PRODUCT:</b> D6F – MEMS Flow Sensor
<b>DATE:</b> December 2016	<b>TYPE:</b> Discontinuation Notification

## D6F MEMS Flow Sensor – Discontinuation

In an effort to improve reliability and refresh Omron’s line of MEMS flow sensors, OMRON will discontinue the listed D6F models in February 2018. For new designs, Omron suggests consideration of the newly released D6F MEMS flow sensor models, which despite different body dimensions and flow port type, can be considered to be functional equivalents. Please carefully read through this notification and note the differences. The following details will fully explain the discontinuation and replacement considerations; should you have any additional questions, however, please communicate with the Sensor Product Specialist.

### Product Discontinuation

MEMS Flow Sensor



- Model **D6F-V01A1**
- Model **D6F-70A7-000**
- Model **D6F-50A62-000**
- Model **D6F-05N6-000**
- Model **D6F-02N2-000**



### Suggested Replacement

MEMS Flow Sensor

- Model **D6F-V03A1**
- Model **D6F-70AB71-000**
- Model **D6F-50A6-000**
- Model **D6F-05N7-000**
- Model **D6F-05N2-000**

### LAST Order date (Last Time Buy Date)

**February 28, 2018**

### All orders entered by the LTB date will be shipped by the factory by the end of:



**June, 2018**

### D6F Suggested Replacement -- Differences from discontinued product:

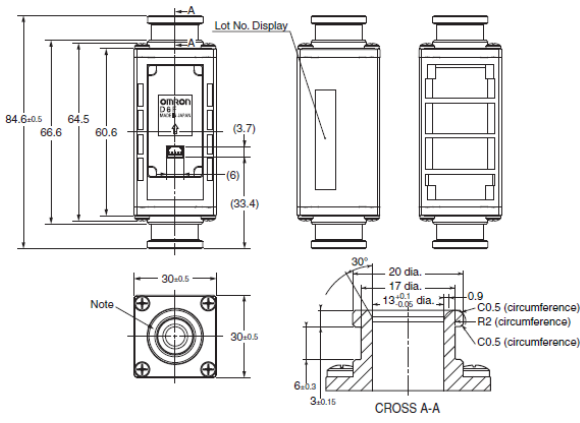
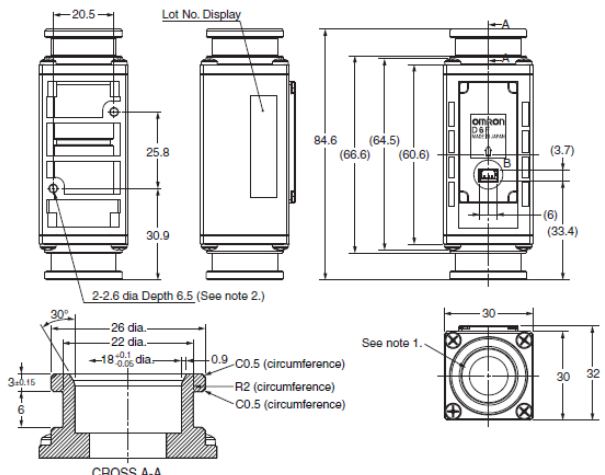
Suggested replacement Model	Body Color	Dimen -sions	Wire connection	Mounting Dimensions	Charact -eristics	Operation ratings	Operation methods
D6F-V03A1	**	**	**	**	--	**	**
D6F-70AB71-000	*	--	**	--	--	**	**
D6F-50A6-000	**	--	**	--	--	**	**
D6F-05N7-000	*	--	**	--	--	**	**
D6F-05N2-000	**	**	**	**	--	**	**

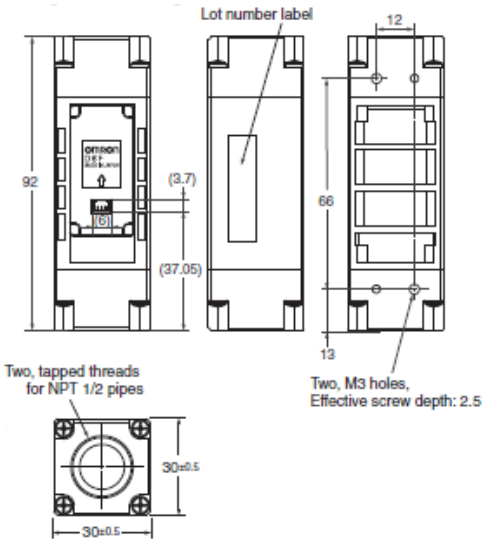
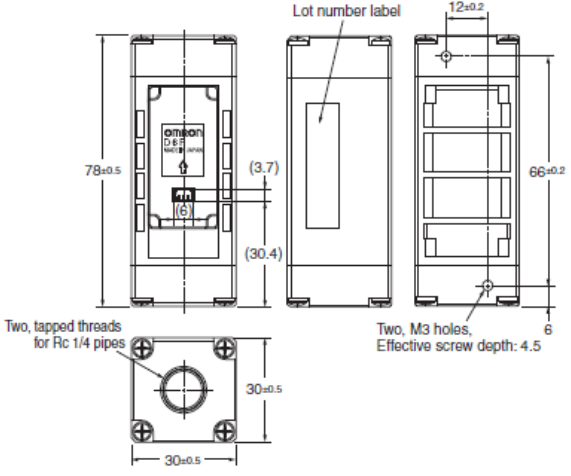
- \*\* : Compatible
- \* : The change is a little/Almost compatible
- : Not compatible
- : No corresponding specification

**D6F Body Color:**

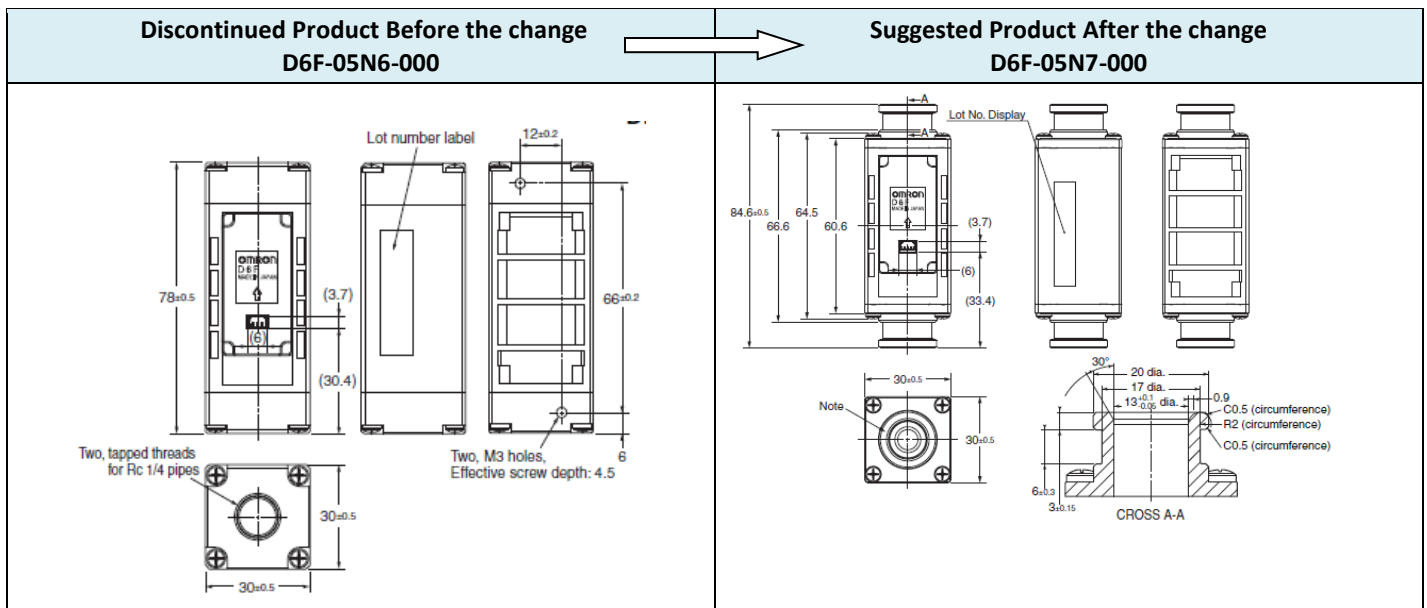
Discontinued Product Before the change D6F-70A6-000 D6F-05N6-000	Suggested Product After the change D6F-70AB71-000 D6F-05N7-000
Fitting color : silver 	Fitting color : black 

**D6F Dimensions:**

Discontinued Product Before the change D6F-70A7-000	Suggested Product After the change D6F-70AB71-000
 <p>Technical drawings of D6F-70A7-000 showing front, side, and cross-section views. Dimensions include 84.6±0.5, 66.6, 64.5, 60.6, 30±0.5, 30±0.5, 6±0.3, 3±0.15, 30, 20 dia., 17 dia., 13±0.2 dia., 0.9, R2 (circumference), C0.5 (circumference). Includes 'Lot No. Display' label.</p>	 <p>Technical drawings of D6F-70AB71-000 showing front, side, and cross-section views. Dimensions include 20.5, 25.8, 30.9, 84.6 (66.6), 64.5 (60.6), 30±0.5, 30, 32, 2-2.6 dia Depth 6.5, 26 dia., 22 dia., 18±0.1 dia., 0.9, C0.5 (circumference), R2 (circumference), C0.5 (circumference). Includes 'Lot No. Display' label and 'See note 1'.</p>

Discontinued Product Before the change D6F-50A62-000	Suggested Product After the change D6F-50A6-000
 <p>Technical drawings of D6F-50A62-000 showing front, side, and cross-section views. Dimensions include 92, 30±0.5, 30±0.5, 37.05, 3.7, 66, 13, 12. Includes 'Lot number label', 'Two, tapped threads for NPT 1/2 pipes', and 'Two, M3 holes, Effective screw depth: 2.5'.</p>	 <p>Technical drawings of D6F-50A6-000 showing front, side, and cross-section views. Dimensions include 78±0.5, 30±0.5, 30±0.5, 3.7, 30.4, 66±0.2, 6, 12±0.2. Includes 'Lot number label', 'Two, tapped threads for Rc 1/4 pipes', and 'Two, M3 holes, Effective screw depth: 4.5'.</p>

**D6F Dimensions (Cont):**



**D6F Characteristics:**

Discontinued Product Before the change D6F-V01A1	Suggested Product After the change D6F-V03A1																								
<p><b>Flow rage:</b> 0 to 1 m/s</p> <p><b>Output voltage characteristics</b></p> <table border="1" style="width:100%; border-collapse: collapse;"> <thead> <tr> <th>Flow velocity m/s</th> <th>0</th> <th>0.25</th> <th>0.50</th> <th>0.75</th> <th>1.00</th> </tr> </thead> <tbody> <tr> <td>Output voltage V</td> <td>0.50 ±0.15</td> <td>0.65 ±0.15</td> <td>0.94 ±0.15</td> <td>1.45 ±0.15</td> <td>2.00 ±0.15</td> </tr> </tbody> </table>	Flow velocity m/s	0	0.25	0.50	0.75	1.00	Output voltage V	0.50 ±0.15	0.65 ±0.15	0.94 ±0.15	1.45 ±0.15	2.00 ±0.15	<p><b>Flow rage:</b> 0 to 3 m/s</p> <p><b>Output voltage characteristics</b></p> <table border="1" style="width:100%; border-collapse: collapse;"> <thead> <tr> <th>Flow velocity m/s</th> <th>0</th> <th>0.75</th> <th>1.5</th> <th>2.25</th> <th>3</th> </tr> </thead> <tbody> <tr> <td>Output voltage V</td> <td>0.5±0.15</td> <td>0.7±0.15</td> <td>1.11±0.15</td> <td>1.58±0.15</td> <td>2±0.15</td> </tr> </tbody> </table>	Flow velocity m/s	0	0.75	1.5	2.25	3	Output voltage V	0.5±0.15	0.7±0.15	1.11±0.15	1.58±0.15	2±0.15
Flow velocity m/s	0	0.25	0.50	0.75	1.00																				
Output voltage V	0.50 ±0.15	0.65 ±0.15	0.94 ±0.15	1.45 ±0.15	2.00 ±0.15																				
Flow velocity m/s	0	0.75	1.5	2.25	3																				
Output voltage V	0.5±0.15	0.7±0.15	1.11±0.15	1.58±0.15	2±0.15																				

Discontinued Product Before the change D6F-70A7-000	Suggested Product After the change D6F-70AB71-000																												
<p><b>Output voltage characteristics</b></p> <table border="1" style="width:100%; border-collapse: collapse;"> <thead> <tr> <th>Flow rate L/min(normal)</th> <th>0</th> <th>14</th> <th>28</th> <th>42</th> <th>56</th> <th>70</th> </tr> </thead> <tbody> <tr> <td>Output voltage V</td> <td>1.00 ±0.4</td> <td>2.76 ±0.4</td> <td>3.80 ±0.4</td> <td>4.40 ±0.4</td> <td>4.78 ±0.4</td> <td>5.00 ±0.4</td> </tr> </tbody> </table> <p><b>Temperature characteristics:</b> ±10%F.S. for 25°C characteristic at an ambient temperature of -10 to +60°C</p> <p><b>Withstand pressure:</b> 500 kPa</p>	Flow rate L/min(normal)	0	14	28	42	56	70	Output voltage V	1.00 ±0.4	2.76 ±0.4	3.80 ±0.4	4.40 ±0.4	4.78 ±0.4	5.00 ±0.4	<p><b>Output voltage characteristics</b></p> <table border="1" style="width:100%; border-collapse: collapse;"> <thead> <tr> <th>Flow rate L/min (normal)</th> <th>0</th> <th>14</th> <th>28</th> <th>42</th> <th>56</th> <th>70</th> </tr> </thead> <tbody> <tr> <td>Output voltage V</td> <td>1.00 ±0.12</td> <td>1.43 ±0.12</td> <td>2.25 ±0.12</td> <td>3.14 ±0.12</td> <td>4.06 ±0.12</td> <td>5.00 ±0.12</td> </tr> </tbody> </table> <p><b>Temperature characteristics :</b> ±3%F.S. for 25°C characteristic at an ambient temperature of -10 to +60°C</p> <p><b>Withstand pressure:</b> 100 kPa</p>	Flow rate L/min (normal)	0	14	28	42	56	70	Output voltage V	1.00 ±0.12	1.43 ±0.12	2.25 ±0.12	3.14 ±0.12	4.06 ±0.12	5.00 ±0.12
Flow rate L/min(normal)	0	14	28	42	56	70																							
Output voltage V	1.00 ±0.4	2.76 ±0.4	3.80 ±0.4	4.40 ±0.4	4.78 ±0.4	5.00 ±0.4																							
Flow rate L/min (normal)	0	14	28	42	56	70																							
Output voltage V	1.00 ±0.12	1.43 ±0.12	2.25 ±0.12	3.14 ±0.12	4.06 ±0.12	5.00 ±0.12																							

**D6F Characteristics (Cont):**

Discontinued Product Before the change D6F-05N6-000							Suggested Product After the change D6F-05N7-000						
<b>Output voltage characteristics</b>							<b>Output voltage characteristics</b>						
Flow rate L/min (normal)	0	1.0	2.0	3.0	4.0	5.0	Flow rate L/min (normal)	0	1.0	2.0	3.0	4.0	5.0
Output voltage V	1.00 ±0.12	1.71 ±0.12	2.53 ±0.12	3.40 ±0.12	4.22 ±0.12	5.00 ±0.12	Output voltage V	1.00 ±0.12	1.68 ±0.12	2.47 ±0.12	3.31 ±0.12	4.15 ±0.12	5.00 ±0.12

Discontinued Product Before the change D6F-02N2-000							Suggested Product After the change D6F-05N2-000						
<b>Flow rage : 0 to 2 L/min(Normal)</b> <b>Output voltage characteristics</b>							<b>Flow rage : 0 to 5 L/min(Normal)</b> <b>Output voltage characteristics</b>						
Flow rate L/min (normal)	0	0.4	0.8	1.2	1.6	2.0	Flow rate L/min (normal)	0	1.0	2.0	3.0	4.0	5.0
Output voltage V	1.00 ±0.12	2.20 ±0.12	3.20 ±0.12	3.98 ±0.12	4.55 ±0.12	5.00 ±0.12	Output voltage V	1.00 ±0.12	2.91 ±0.12	3.92 ±0.12	4.47 ±0.12	4.79 ±0.12	5.00 ±0.12

**D6F Models:**

Discontinued Models	Suggested Models
D6F-V01A1	D6F-V03A1
D6F-70A7-000	D6F-70AB71-000
D6F-50A62-000	D6F-50A6-000
D6F-05N6-000	D6F-05N7-000
D6F-02N2-000	D6F-05N2-000

\* Sales teams should communicate this discontinuation with their OEM's and CEM's.  
For further technical support and any questions, please communicate with Product Marketing.

Specifications in this product news are as of the issue date and are subject to change without notice.  
Only main changes in specifications are described in this document. Please be sure to read the relevant catalogs, datasheets, product specifications, instructions, and manuals for precautions and necessary information when using products.

Last time buy dates are subject to change based on availability