

# Customer Information Sheet

DRAWING No.: M80-PM1 TO M80-PM2

IF IN DOUBT - ASK

©

NOT TO SCALE

THIRD ANGLE PROJECTION

ALL DIMENSIONS IN mm

**SPECIFICATIONS:**

**MATERIALS:**

BODY = COPPER ALLOY

**FINISH:**

BODY = 0.76 MIN GOLD OVER NICKEL

**ELECTRICAL:**

CONTACT RESISTANCE =  $6m\Omega$  MAX

CURRENT RATING = 40A

**MECHANICAL:**

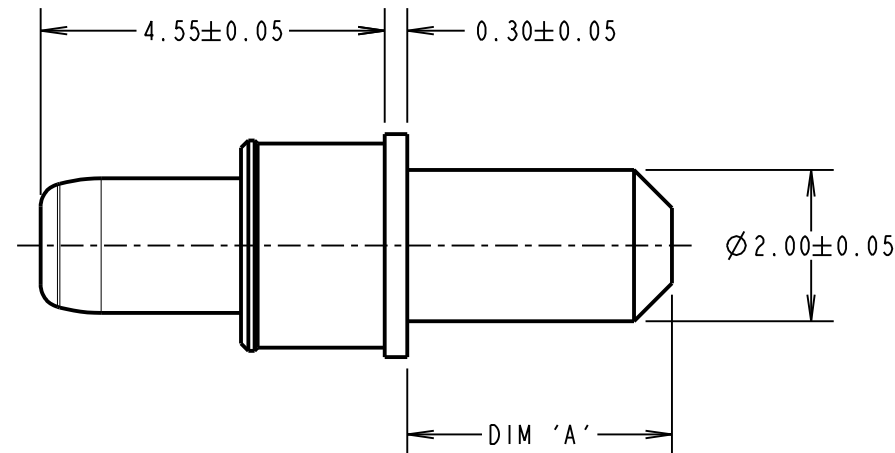
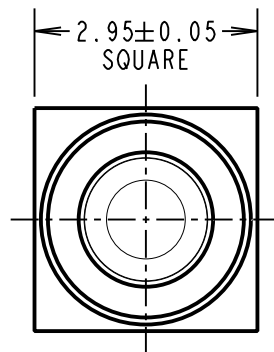
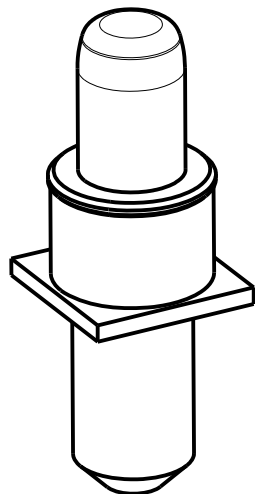
DURABILITY = 500 OPERATIONS

INSERTION FORCE = 15N MAX

WITHDRAWAL FORCE = 0.5N MIN

**ENVIRONMENTAL:**

TEMPERATURE RANGE = -55°C TO +150°C



**NOTES:**

1. RECOMMENDED PCB HOLE SIZE =  $\varnothing 2.10$ mm MIN.
2. FOR ALL OTHER ELECTRICAL/ MECHANICAL REQUIREMENTS, SEE COMPONENT SPECIFICATION C005XX (LATEST ISSUE).

PART No.	DIM 'A'
M80-PM1	3.50
M80-PM2	5.00

MSP	2	07.07.17	13440
NAME	ISS.	DATE	C/NOTE
APPROVED: M.PERREN			
CHECKED: S.BENNETT			
DRAWN: MARK G PLESTED			
CUSTOMER REF.:			
ASSEMBLY DRG:			

**HARWIN**

www.harwin.com  
technical@harwin.com

THIS DRAWING AND ANY INFORMATION OR DESCRIPTIVE MATTER SET OUT HEREON ARE CONFIDENTIAL AND COPYRIGHT PROPERTY OF THE HARWIN GROUP AND MUST NOT BE DISCLOSED, LOANED, COPIED OR USED FOR MANUFACTURING, TENDERING OR FOR ANY OTHER PURPOSE WITHOUT THEIR WRITTEN PERMISSION.

**TOLERANCES**

X. =  $\pm 1$ mm  
X.X =  $\pm 0.50$ mm  
X.XX =  $\pm 0.10$ mm  
X.XXX =  $\pm 0.01$ mm  
ANGLES =  $\pm 5^\circ$   
UNLESS STATED

**MATERIAL:**

SEE ABOVE

FINISH: SEE ABOVE

S/AREA: mm<sup>2</sup>

TITLE: DATAMATE MIX-TEK  
HIGH POWER CONTACT  
MALE VERTICAL PC-TAIL

DRAWING NUMBER:

**M80-PM1 TO M80-PM2**

SHT  
2  
OF  
2