

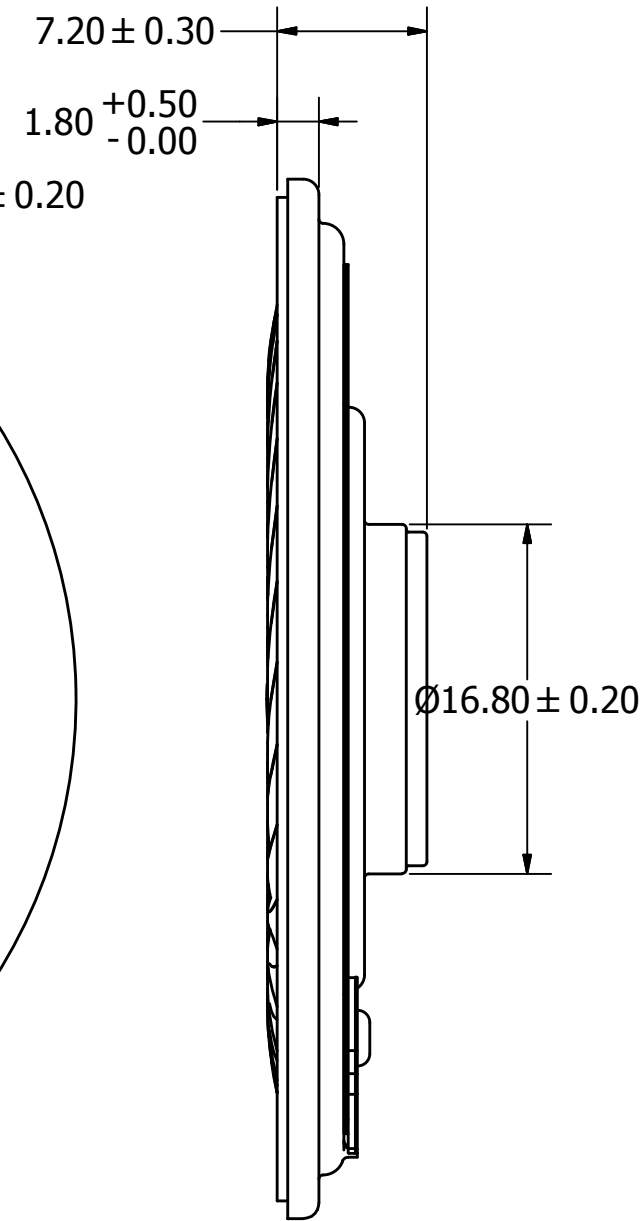
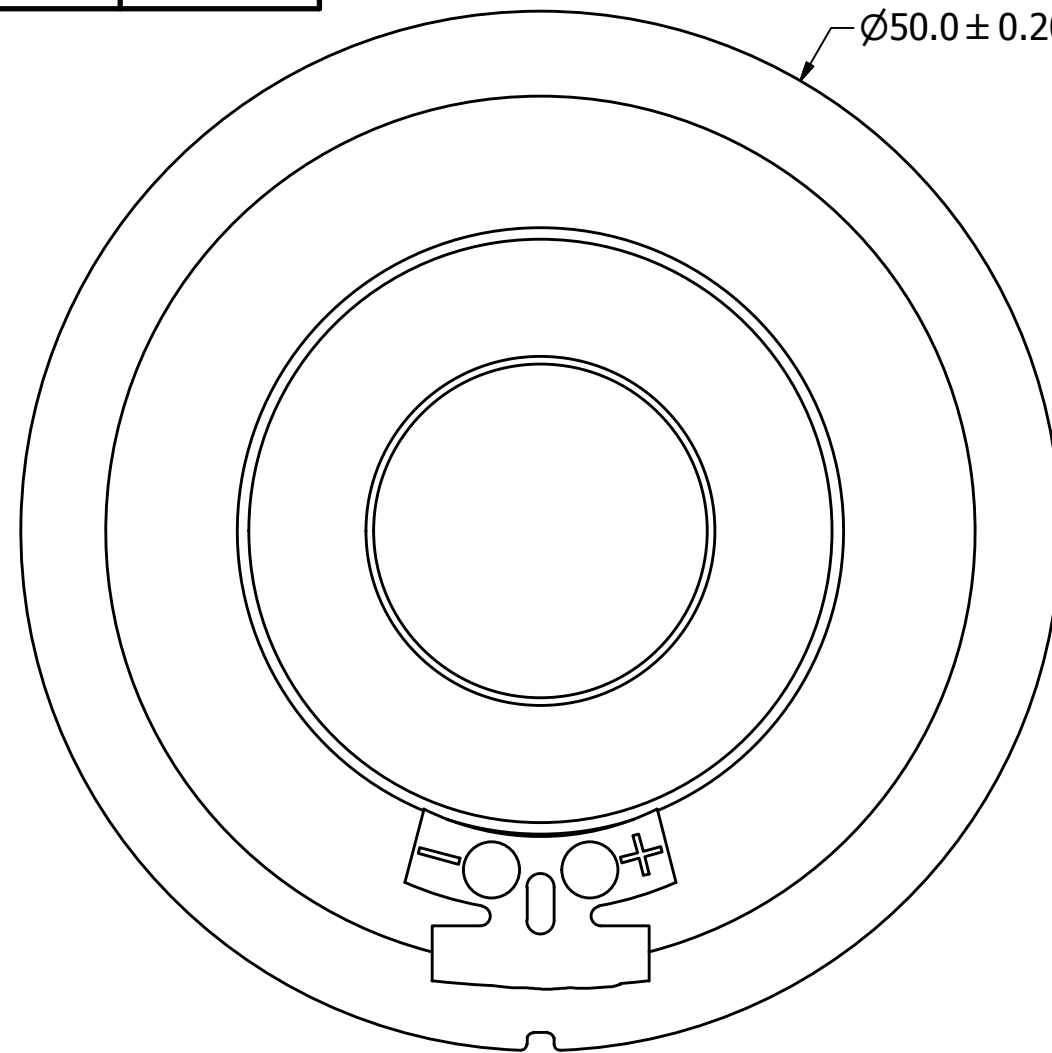
# SPECIFICATIONS

PARAMETERS	VALUES	UNITS
RATED INPUT POWER	1.5	W
MAX INPUT POWER	2	W
IMPEDANCE	8 ± 15%	OHM
OUTPUT SPL @ 0.1W/0.1M (AT 0.6, 0.8, 1.0, 1.2 kHz)	92 ± 3	dB
DISTORTION (MAX.)	5%	-
RESONANT FREQUENCY	350 ± 20%	Hz
FREQUENCY RANGE	350 ~ 20,000	Hz
HOUSING MATERIAL	METAL	-
CONE MATERIAL	MYLAR	-
MAGNET MATERIAL	N35	-
OPERATING TEMPERATURE	-20 ~ +60	°C
WEIGHT	13.2	grams

THIS DOCUMENT CONTAINS DATA PROPRIETARY TO PROJECTS UNLIMITED, INC. ANY USE OR REPRODUCTION, IN ANY FORM, WITHOUT PRIOR WRITTEN PERMISSION OF PROJECTS UNLIMITED, INC. IS PROHIBITED.  
©2003, Projects Unlimited Inc.

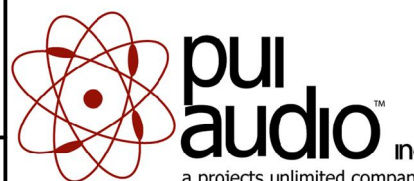
# REVISION HISTORY

LTR	DESCRIPTION	DATE	APPROVED
-	RELEASED FROM ENGINEERING	2/22/2006	
A	REVISED TO INVENTOR 3-D DRAWING TEMPLATE	1/7/2009	B.R.
B	REVISED OPERATING TEMP	8/22/2013	M.L.
C	CORRECT RESONANT FREQUENCY TOLERANCE	6/17/2015	M.L.
D	UPDATED EDGE THICKNESS TOLERANCE	7/6/2017	M.V.



### NOTES:

1. ALL DIMENSIONS ARE IN MILLIMETERS.
2. SPECIFICATIONS SUBJECT TO CHANGE OR WITHDRAWL WITHOUT NOTICE.
3. THIS PART IS RoHS 2011/65/EU COMPLIANT.

UNLESS OTHERWISE SPECIFIED: DIMENSIONS ARE IN MILLIMETERS, TOLERANCES ARE ±0.5 AND ANGLES ARE ±3°.	SIZE <b>A3</b>	Designed by	Date	Checked by	Date	Approved by	Date	Drawn Date
		J.A.F.	2/22/2006	B.R.	2/22/2006	E.P.	2/22/2006	1/7/2009
AS05008MR-4-R.idw				<b>AS05008MR-4-R</b> Speaker				
				Edition		Sheet		
				-		1 / 1		