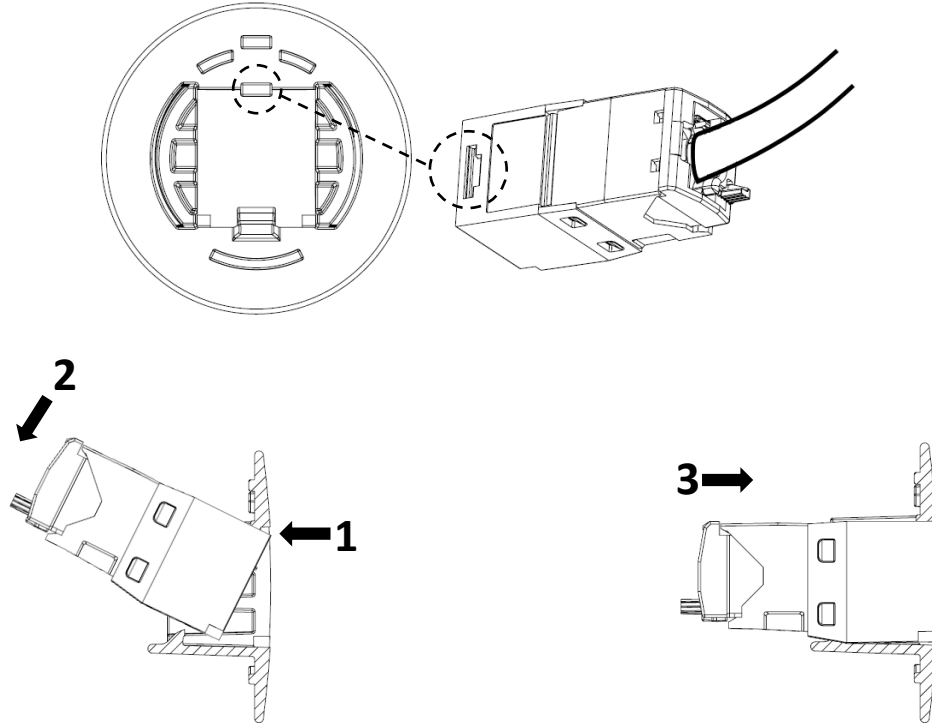
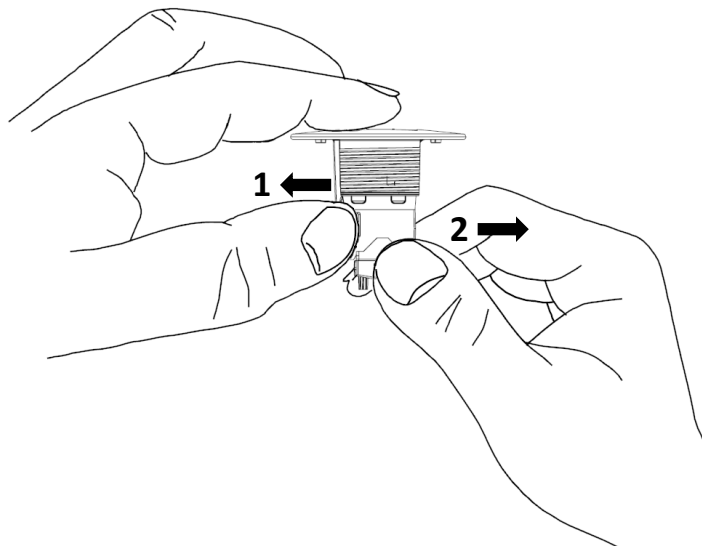


### MODULE INSTALLATION

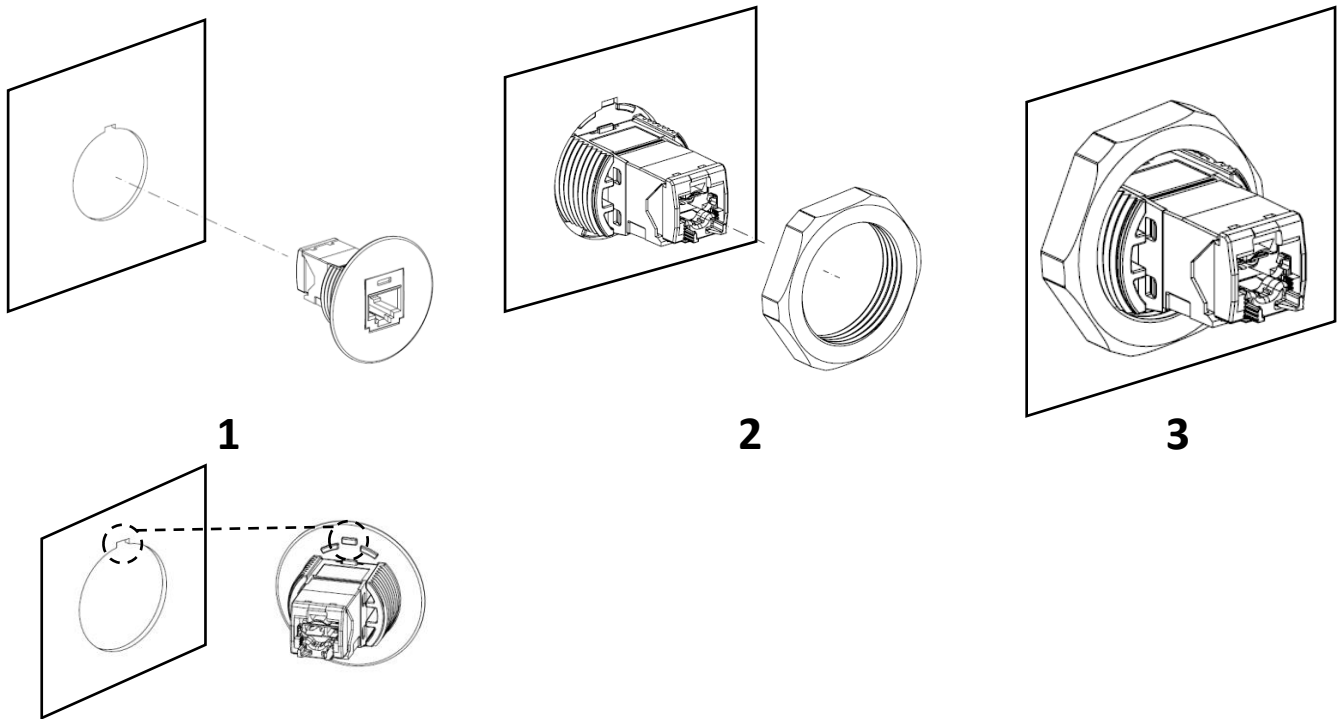


Note: Logo orientation is not an indicator of service port mounting direction.

### MODULE REMOVAL



# SINGLE SERVICE PORT INSTALLATION – WITH NOTCH



Note: Ensure alignment notch on Single Service Port fits inside notch on 30.5mm panel cutout opening.