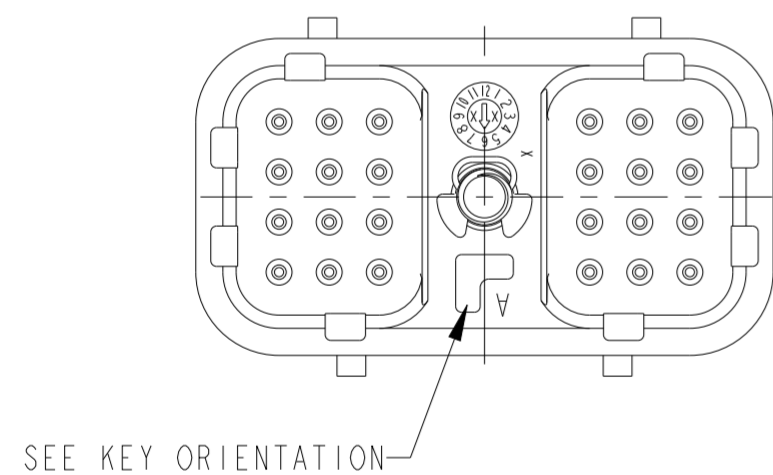
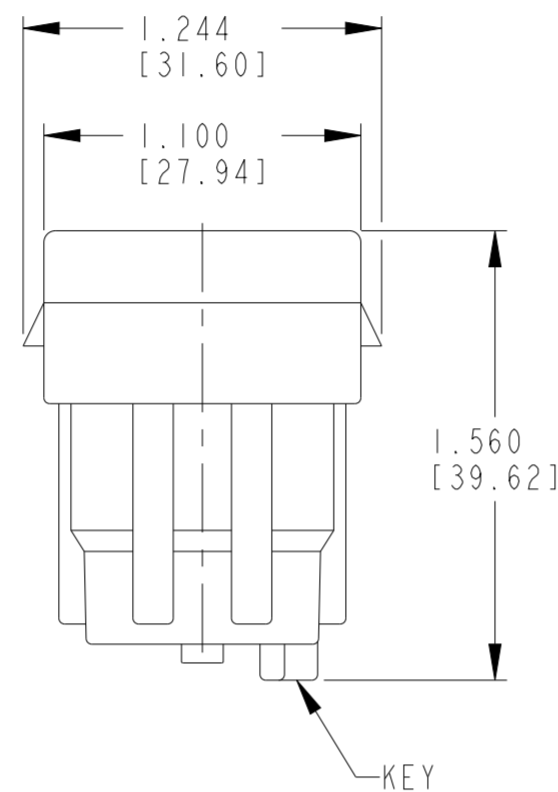
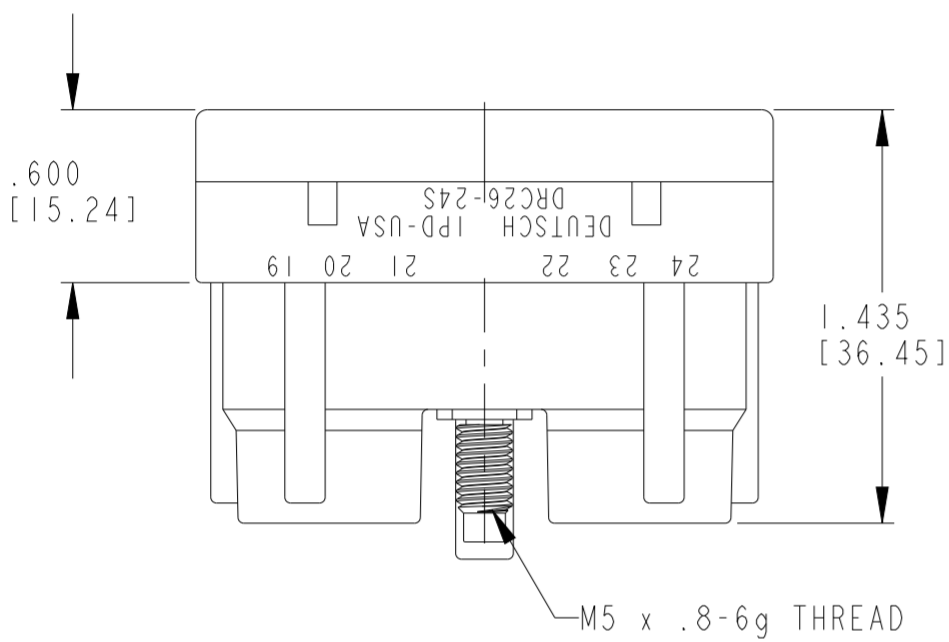
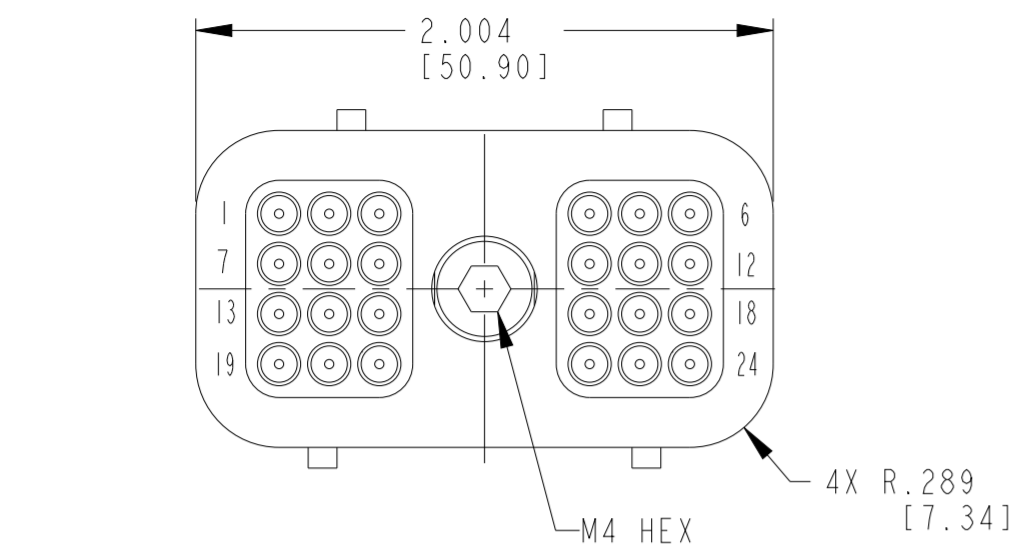


P	LTR	DESCRIPTION	DATE	DWN	APVD
D		REVISED PER PCN-21-118564	09FEB2022	DRK	IG



DRC26-24SA



DRC26-24SC



DRC26-24SB



DRC26-24SD



KEY ORIENTATION

TCPN	ALIAS PART NUMBER
DRC26-24SA	DRC26-24SA
DRC26-24SB	DRC26-24SB
DRC26-24SC	DRC26-24SC
DRC26-24SD	DRC26-24SD

5. MATERIAL: HOUSING: PA46 30% GF (BLACK); BOLT: STEEL, TRIVALENT ZINC PLATED (ROHS COMPLIANT); CLIP: STEEL; GROMMET: VMO

4. THIS PLUG MATES WITH DRC23-24P*-**** RECEPTACLE. (* = A,B,C,D KEYS; **** = ALL MODIFICATIONS)

3. FOR CONTACT AND WIRE PERFORMANCE AND APPLICATION CHARACTERISTICS SEE ENVELOPE DRAWING 0425-015-0000.

2. RECOMMENDED RETAINING BOLT TORQUE: 25-28 IN-LB [2.82-3.16 NM].

1. PLUG IS SUPPLIED WITH DUST CAP (NOT SHOWN).

NOTES: UNLESS OTHERWISE SPECIFIED

CONTACT SIZE	MIN. INSUL. O.D.	MAX. INSUL. O.D.	WIRE GAUGE RANGE REF ONLY
20	.040 [1.016]	.095 [2.413]	16 - 20 [1.00-.50mm ²]

THIS DRAWING IS A CONTROLLED DOCUMENT.		DWN D MEYER 29NOV2000	TE Connectivity	
DIMENSIONS: INCHES [mm]		CHK B BYFORD 20SEP2004		
TOLERANCES UNLESS OTHERWISE SPECIFIED:		APVD R REED 20SEP2004	NAME PLUG 24 CONTACTS, SIZE 20 DRC SERIES	
0 PLC ±		PRODUCT SPEC 108-151052	SIZE A2	
1 PLC ±		APPLICATION SPEC -	CAGE CODE 00779	
2 PLC ±		WEIGHT -	DRAWING NO C-DRC26-24SX	
3 PLC ±.025 [.64]		CUSTOMER DRAWING	RESTRICTED TO -	
4 PLC ±		SCALE 3:2	SHEET 1 OF 1	
ANGLES ±			REV D	
FINISH -				
5 ±				