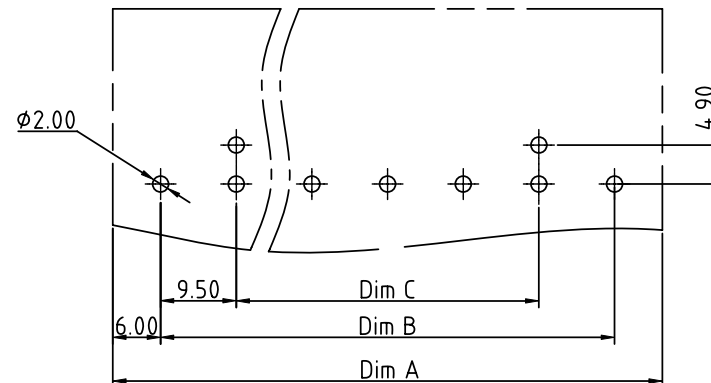
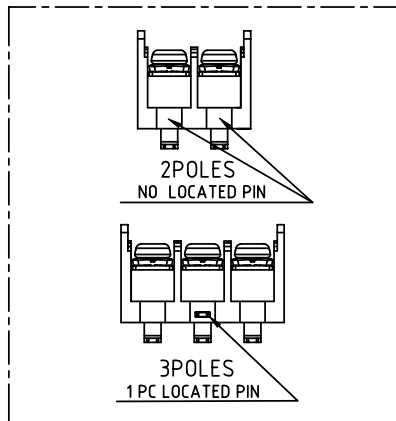
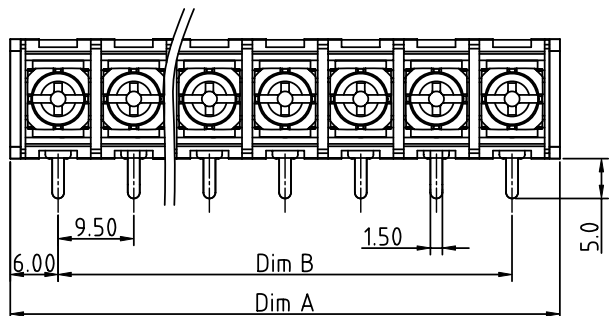
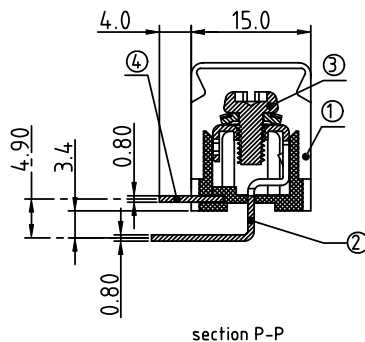
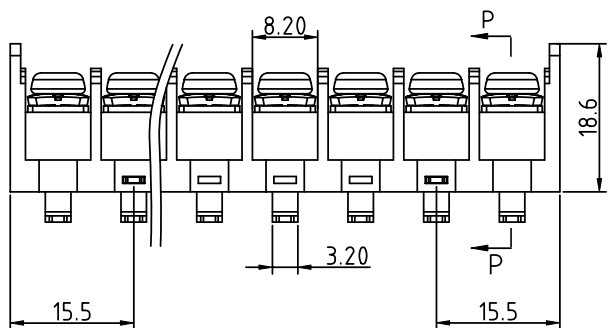


PRODUCT NUMBER	PITCH
YK50Axx0x0J0G	9.50 mm



RECOMMENDED P.C.B LAYOUT  
TOP VIEW



section P-P

- MATERIALS & ELECTRICAL
- |                             |                                |
|-----------------------------|--------------------------------|
| RATED VOLTAGE & CURRENT:    | 300 V, 30 A                    |
| WITHSTAND VOLTAGE:          | AC 2000 V/Min                  |
| INSULATION RESISTANCE:      | 1000 MΩ OR MORE AT DC 500 V    |
| OPERATING TEMPERATURE RANG: | -40 °C ~ +115 °C               |
| SCREW TORQUE VALUE:         | 7.0Lb-In                       |
| WIRE RANGE:                 | 22 - 10AWG                     |
| 1) HOUSING:                 | Thermoplastic, UL 94 V-0 BLACK |
| 2) TERMINAL:                | BRASS, 0.8t                    |
| 3) TERMINAL SCREWS:         | STEEL, M3.5                    |
| 4) LOCATED PIN :            | BRASS, 0.8t                    |

DIMENSION

Dim A	N×9.5±2.5
Dim B	(N-1)×9.5

N=Number of poles

Poles	Tolerance
2p-4p	±0.20
5p-10p	±0.30
11p-18p	±0.40

PART NO.: YK 50Axx 0 x 0 J0G

No. of poles  
02 2 poles  
03 3 poles  
... ..  
18 18 poles

Plated

Code	Terminal	Screw	LOCATED PIN
0	G/F	G/F	G/F
1	G/F	Zinc	G/F
2	Tin	G/F	Tin
3	Tin	Zinc	Tin

RoHS compliant  
(lead<4%)  
In copper Alloy

mat'l. code		surface ASME Y14.5 ✓	tolerance ASME Y14.5	projection 	product family TERMINAL BLOCK
ltr	ecn no	dr	date	tolerances unless otherwise specified	title TERMINAL BLOCK
				angles 	BARRIER TYPE
				X±0.5	scale
				X.X±0.3	MM
				X'±1"	X.XX±0.1
		dr	EVAN LU	061014	dwg no
		enr	EVAN LU	061014	sheet 1 of 1
		chr	HANKE FENG	061014	size
		appd	SHI JUN	061014	YK50Axx0x0J0G
					A4
					type
					CUSTOMER Drawing
sheet index	revision	A			
	sheet	1			