

PRODUCT NUMBER  
10075024-XXX-XXXLF

PLATING \_\_\_\_\_  
S = 0.38µm GOLD ON CONTACT AREA  
2µm MIN MATTE TIN ON TAIL  
G = 0.76µm GOLD ON CONTACT AREA  
2µm MIN MATTE TIN ON TAIL  
F = GOLD FLASH ON CONTACT AREA  
2µm MIN MATTE TIN ON TAIL

LEAD FREE  
RoHS COMPATIBLE  
NOTE 6  
PACKAGING  
NOTE 5  
POSITIONS PER ROW  
02 TO 25  
SEE NOTE 9

PIN STYLE	DIM "A" ±0.25
01	4.00
02	6.90
03	5.80

1.27µm MIN NICKEL UNDERPLATING

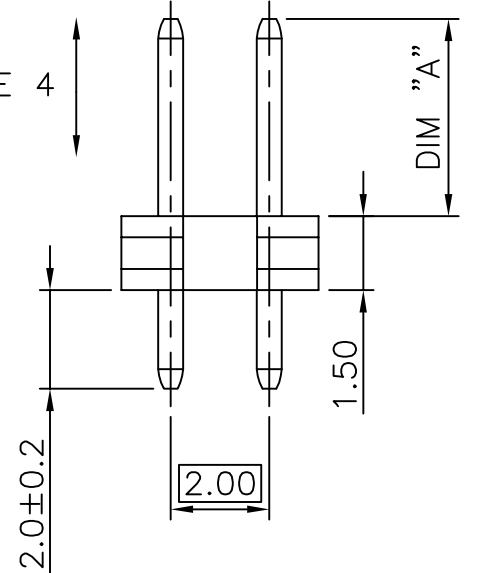
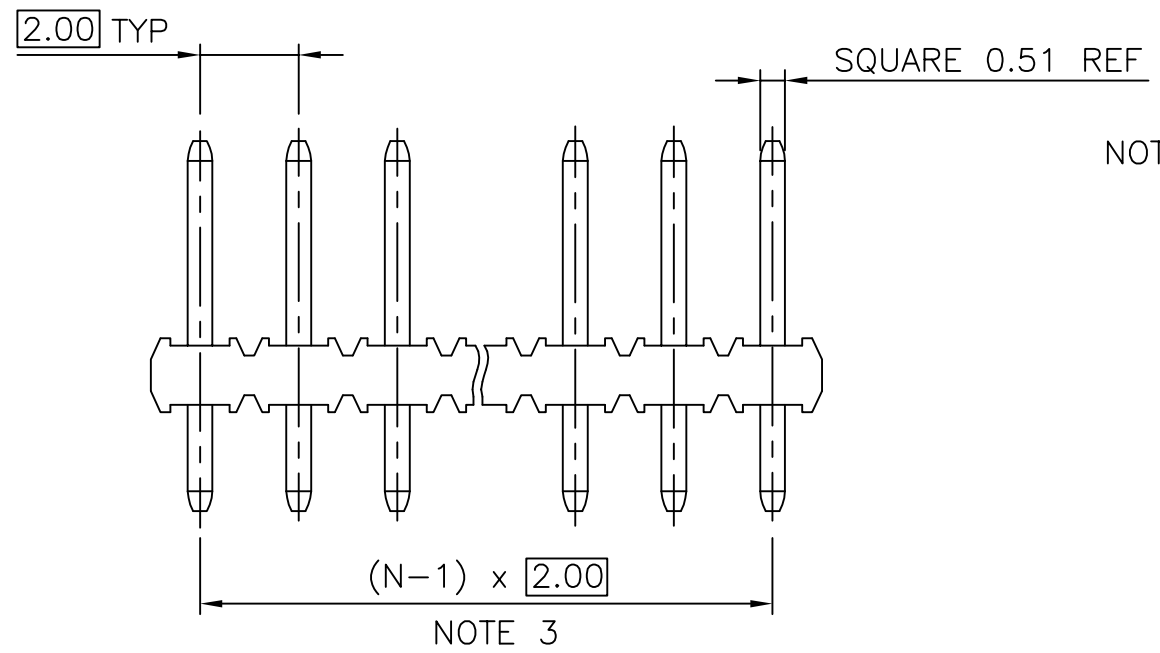
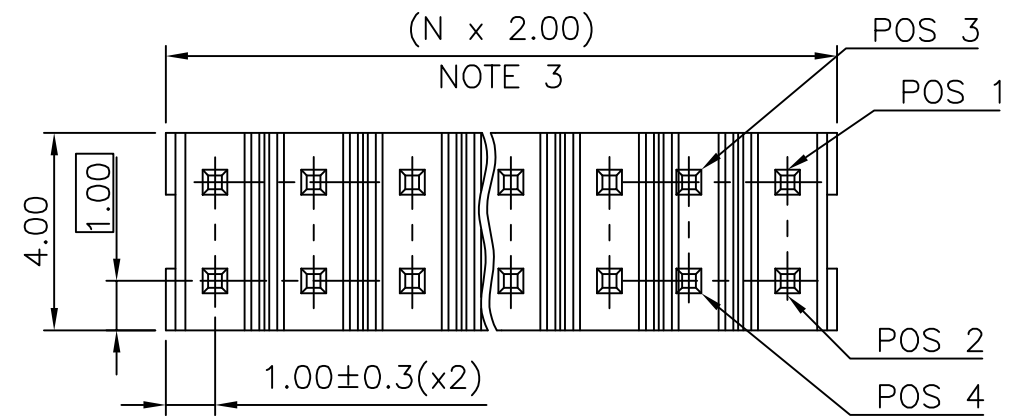
NOTES:

- MATERIAL HOUSING: HIGH TEMP. THERMOPLASTIC UL 94V-0, COLOR BLACK
- MATERIAL TERMINAL: COPPER ALLOY
- TO DETERMINE DIMENSIONS:  
N = NUMBER OF POSITIONS PER ROW
- 7N MIN. PIN RETENTION IN EITHER DIRECTION.
- PACKAGING:  
= STANDARD PACKAGING IN POLYBAG  
U = TUBE WITHOUT PICK UP CAP  
AVAILABLE FROM 03 TO 25 POS PER ROW  
P = TUBE WITH PICK UP CAP  
AVAILABLE FROM 03 TO 25 POS PER ROW  
A = TAPE AND REEL WITH PICK UP CAP, AS AVAILABLE.

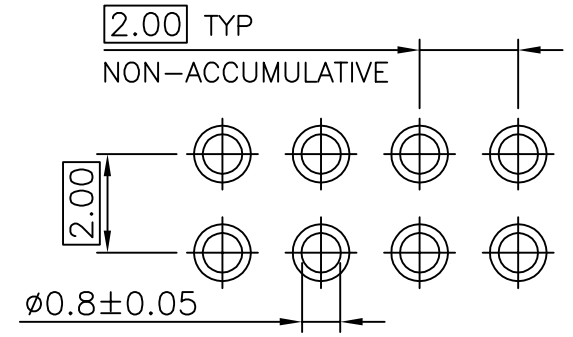
6. RoHS COMPATIBLE PRODUCT SPECIFICATIONS

- PLATING:  
- "LF" MEANS THE PRODUCT IS LEAD-FREE, 2µm MINIMUM MATTE TIN OVER 1.27µm MINIMUM NICKEL UNDERPLATE.
- MANUFACTURING PROCESS COMPATIBILITY  
- THE HOUSING WILL WITHSTAND EXPOSURE TO 260°C PEAK TEMPERATURE FOR 30 SECONDS MAX IN A CONVECTION, INFRA-RED, OR VAPOR PHASE OR REFLOW OVEN
- LABELLING:  
- MEETS PACKAGING SPECS AS PER GS-14-920
- LEGAL STATEMENT : SEE GS-47-0004

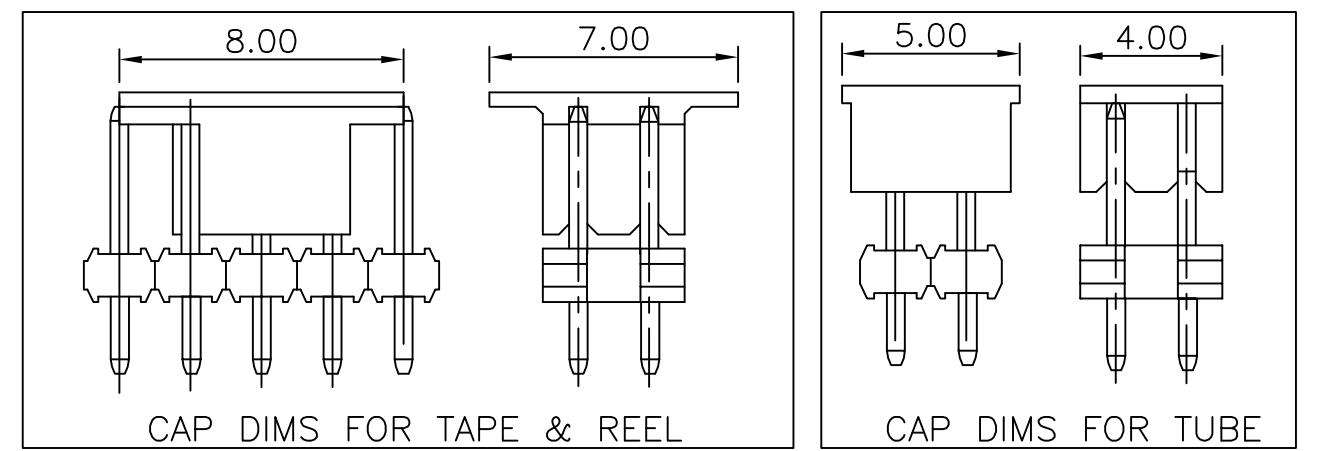
9. OPTIONAL LETTER:  
FOR FULL LOADED PRODUCT USE -  
FOR POLARIZED VERSIONS, SEE TABLE



OPTIONAL LETTER FOR POLARIZED VERSION	MISSING PIN POSITION
A	20



RECOMMENDED 1.6mm THICK PCB LAYOUT  
STENCIL DESIGN RECOMMENDATIONS



mat'l. code		surface ISO 1302		tolerance ISO 406 ISO 1101		projection		product family MINITEK	
ltr	ecn no	dr	date	tolerances unless otherwise specified		mm		title	
H	B-19797	AMA	14.12.16	angles	linear	.x ±0.3		UNSHR.HEADER	
J	F-23051	AMA	16.01.15			.xx ±0.15		2.00 mm VERTICAL PIP	
K	F-26013	DDE	17.02.02			.xxx ±0.05		scale 5:1	
		dr	L MULIN	07.01.04		FCI		dwg no sheet 1 of 1 size	
E		B-17331	LMU	14.03.28 engr J.COMPAGNON		07.01.04		10075024 A3	
F		B-17556	JCO	14.04.23 chr				type CUSTOMER Drawing	
G		B-19190	LMU	14.10.24 appd JM.C		07.01.04			
sheet index		revision sheet							