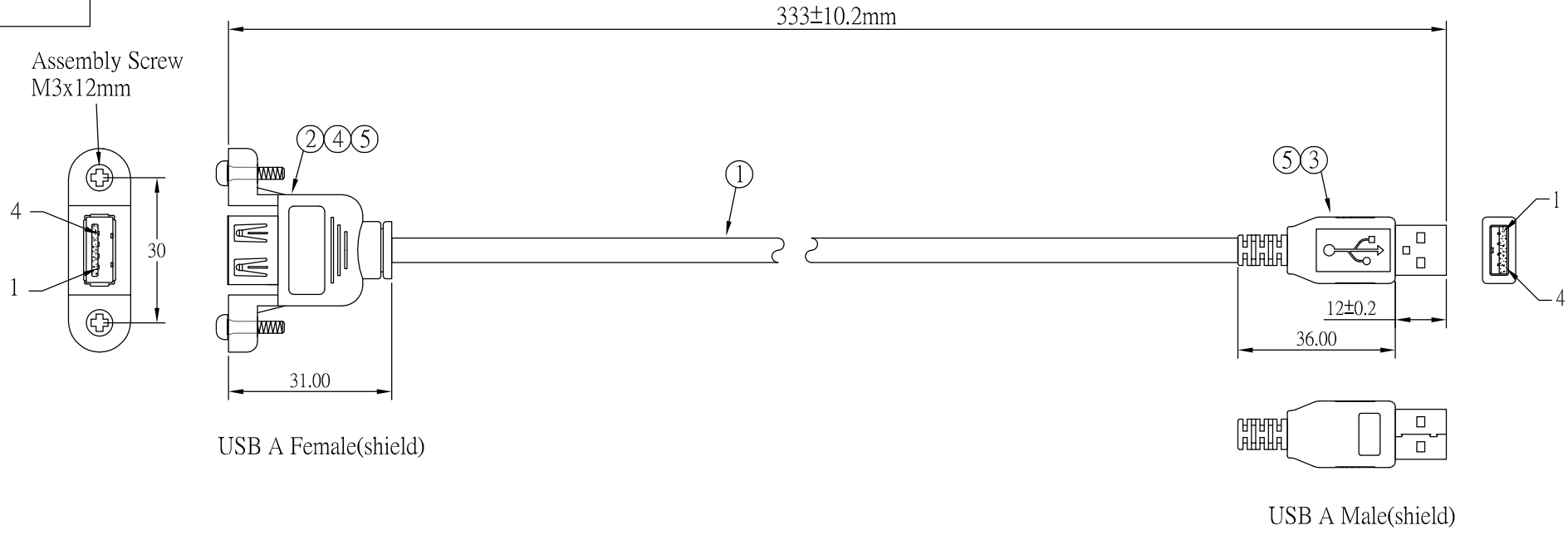


RoHS Compliant

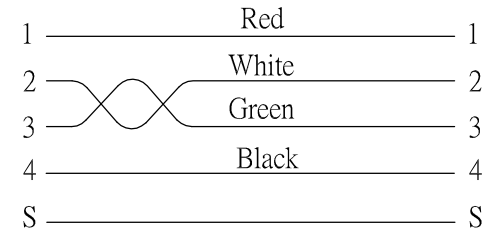


OPEN/SHORT TEST: 100% TEST
INSULATION: 5M.

PIN ASSIGNMENT:

USB A Female

USB A Male



5	Black 45P PVC	10.2g
4	LDPE	2.1g
3	USB 2.0 A Male, Shell: Nickel Plated Contact: Gold Plated FU"	1PCS
2	USB 2.0 A Female, Shell: Nickel Plated Contact: Gold Plated FU"	1PCS
1	UL2725 28AWG(7/0.12TC)*1P+24AWG(7/0.20TC)*2C+AL+Drain+Braid, PVC Jacket, OD=4.5±0.2mm, Black	1PCS
No.	Description	Q'ty

Company	Goods Code	Draw	ZML	Date	2017.11.01
ITEM NO.	P908 USB AM-AF	Check		Date	
Goods NO.		Approval		Date	
Original NO.	Unit(mm)	Audit		Date	

Premier Cable

D		
C		
B		
VER.	REVISE	Date