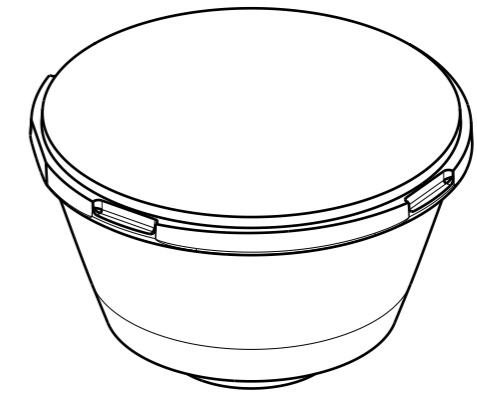
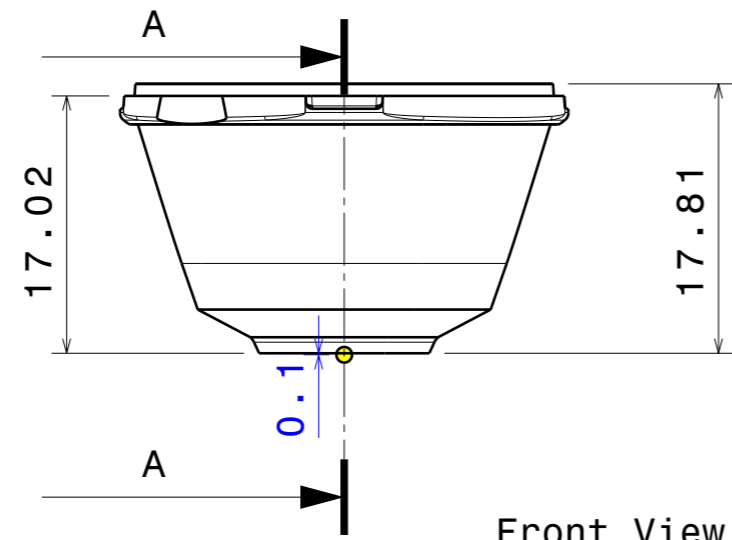


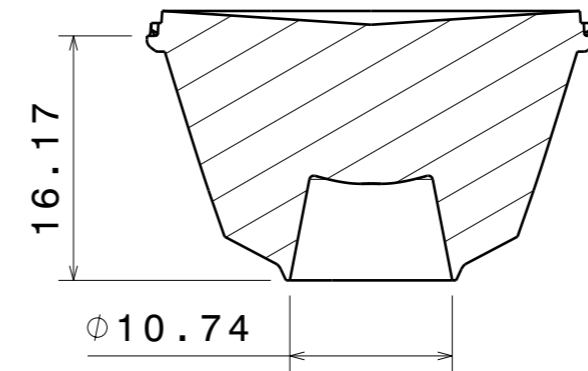
Top View
Scale: 2:1



Isometric View
Scale: 2:1



Front View
Scale: 2:1



Section view A-A
Scale: 2:1

PART	TYPE	MATERIAL	COLOR / COATING
C18062_OLGA-WW_	LENS	PMMA	CLEAR

MECHANICAL DRAWING		LEDiL[®]
PRODUCT OLGA		
Plastic moulding general tolerances according to DIN 16901-130 and applies if not otherwise shown in the drawing. Silicone moulding general tolerances according to ISO 3302-1 Class M3 and applies if not otherwise shown in the drawing.	FIRST ANGLE PROJECTION: 	This drawing is the property of LEDiL Oy. It may not be copied or otherwise distributed without prior written permission from LEDiL Oy.
SCALE 2:1	WEIGHT 0,018kg	A3 SHEET 1/1

Notes

- PCB or heatsink level.
- LED location
- Ensure LED fitting from a product specific 3D model available from www.ledil.com
- For more details about installation please see LEDiL Installation Guide on www.ledil.com