

REV.	DESCRIPTION	DRAWN	DATE
1	INITIAL RELEASE	Willis	2013/09/06
2	ECR2300003	Fros	2023/04/18


**SPECIFICATION:**

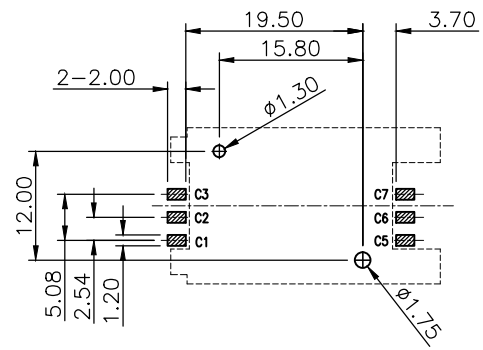
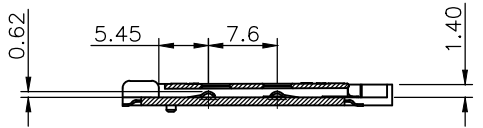
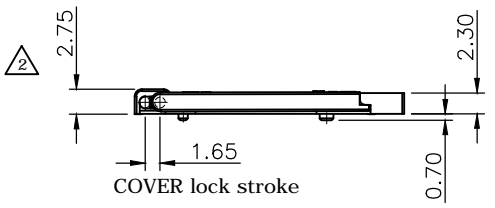
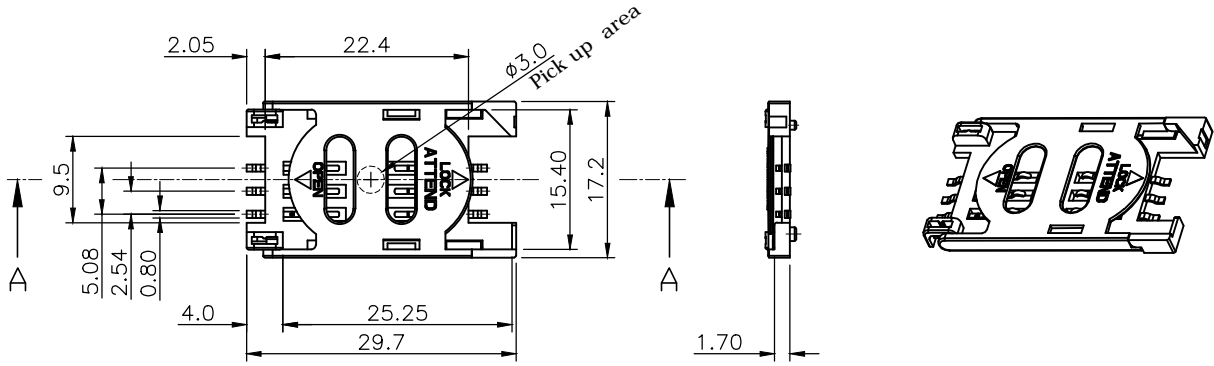
1. ELECTRICAL
  - 1.1 Current Rating: 0.5A per pin
  - 1.2 Voltage Rating: 30V AC/DC
  - 1.3 Contact Resistance: 30mΩ
  - 1.4 Insulation Resistance: 1000MΩ
  - 1.5 Dielectric Withstanding Voltage: 500VAC
2. MECHANICAL
  - 2.1 Durability: 5000 Cycle
3. ENVIRONMENTAL
  - 3.1 Operating temperature range: -40°C~+85°C
  - 3.2 Storage temperature range: -40°C~+85°C
4. SOLDER ABILITY
  - 4.1 Recommended IR-Reflow Temperature: 260°C

**SIM CARD PIN OUT**

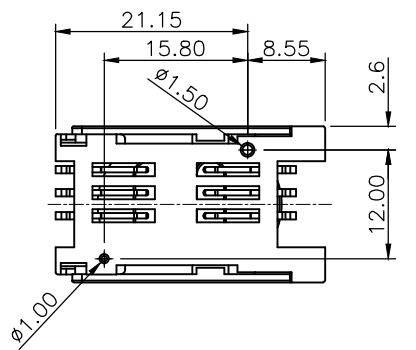
PIN NO.	DESC	PIN NO.	DESC
C1	VCC	C5	GND
C2	RST	C6	VPP
C3	CLK	C7	I/O

3	COVER	LCP, UL94V-0, Black
2	CONTACT	Phosphor Bronze, Gold Flash on contact area, Tin plating on solder tails, Nickel under plating over all
1	HOUSING	LCP, UL94V-0, Black

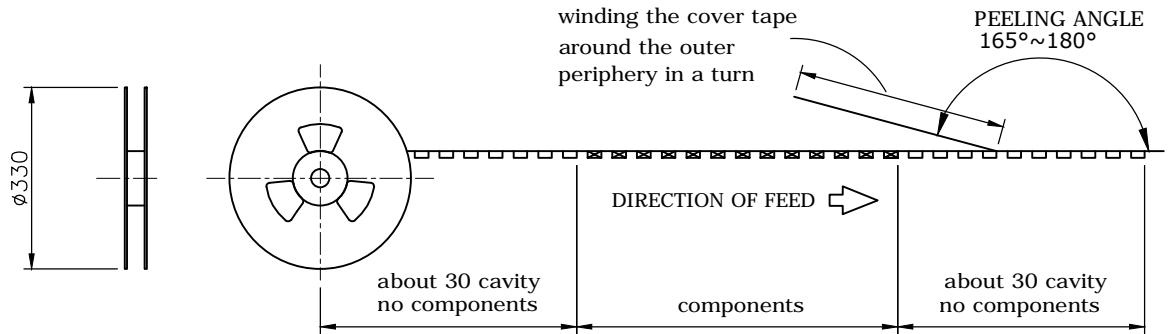
NO.		PART NAME		DESCRIPTION	
UNLESS OTHERWISE SPECIFIED TOLERANCE					
UNIT:	DECIMAL	LINEAR	ANGLES		 www.attend.com.tw
	mm	X.	±0.50	±5°	
		X.X	±0.25	±3°	
		X.XX	±0.12	±1°	
DRAWN	Willis	2013/09/06	DRAWN NAME:		
CHECKED	Angel	2013/09/06	SIM Card Socket Hinge Type 6 Pin G/F Reel, w/Peg		
APPROVED	Ken	2013/09/06	PRODUCT NO.	115B-AAA0-R01	
SCALE	1.2	SHEET	1/3	SIZE	A4
FILE NAME		115B-AAA0-R01_B_2			



Recommended PCB Layout (top view)  
General tolerance (±0.05mm)

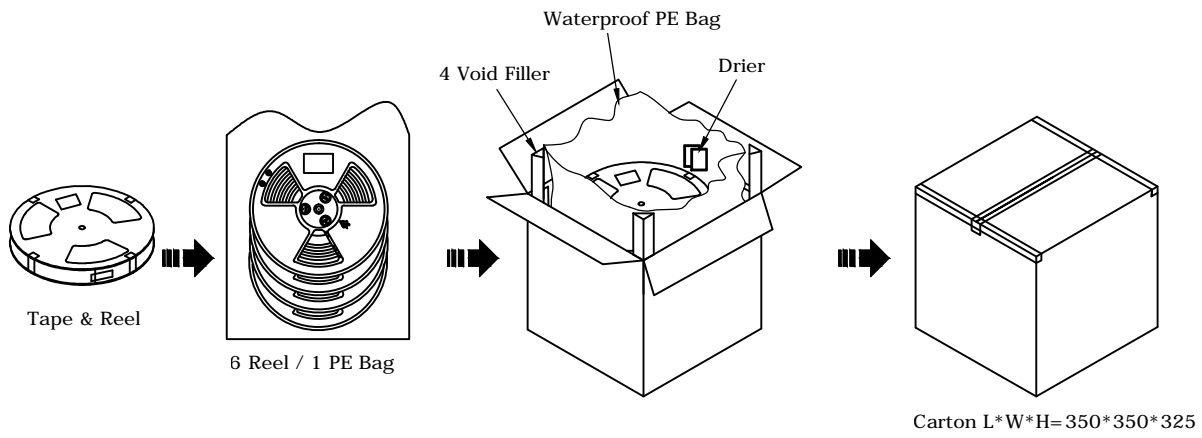
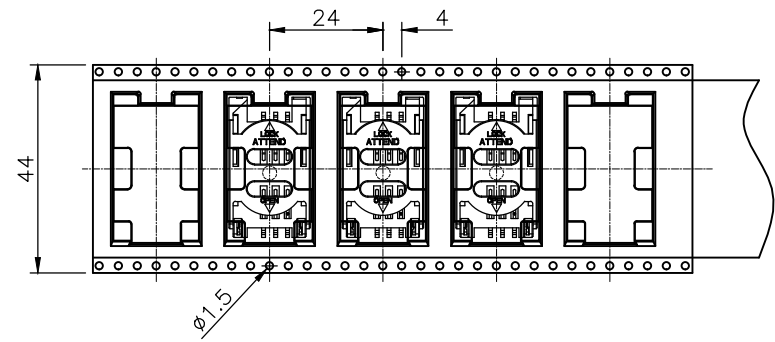



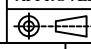
REV.	DESCRIPTION	DRAWN	DATE
------	-------------	-------	------



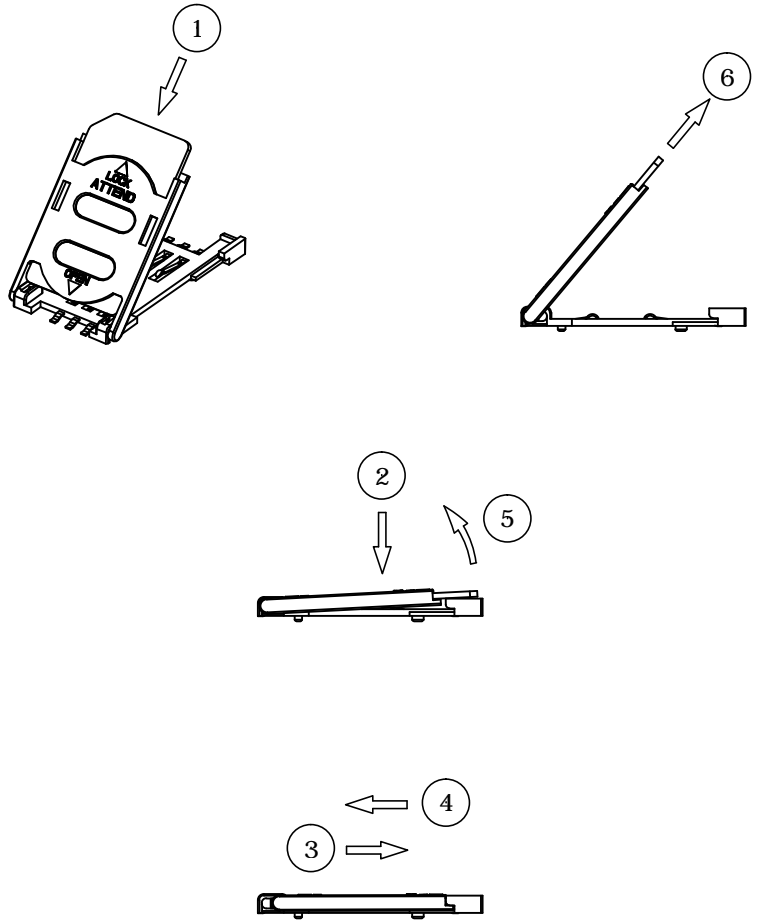
### PACKAGING SPECIFICATION:

1. MATERIAL
  - 1.1 Embossed Carrier Tape: PS Black
  - 1.2 Top Cover Tape: PET  
20-80g(Peel Speed 300mm/Minute)
  - 1.3 Taping Reel: Plastic
2. PACKING
  - 2.1 Quantity:
    - 650 Piece / Reel
    - 6 Reel / Carton
    - 3,900 Piece / Carton




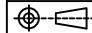
UNLESS OTHERWISE SPECIFIED TOLERANCE					
UNIT:	DECIMAL	LINEAR	ANGLES		
mm	X.	±0.50	±5°	www.attend.com.tw	
	X.X	±0.25	±3°		
	X.XX	±0.12	±1°		
DRAWN	Willis	2013/09/06	DRAWN NAME:		
CHECKED	Angel	2013/09/06	SIM Card Socket Hinge Type 6 Pin G/F Reel, w/Peg		
APPROVED	Ken	2013/09/06	PRODUCT NO.	115B-AAA0-R01	
	SCALE n/a	SHEET 2/3	SIZE A4	FILE NAME	115B-AAA0-R01_B_2

REV.	DESCRIPTION	DRAWN	DATE



Mating and unmating:

1. Locate the SIM card on the holder
2. Close the holder
3. Press and push forward to lock it.
4. Push backward to unlock it.
5. Lift up the holder.
6. Withdraw the SIM card from the holder.

UNLESS OTHERWISE SPECIFIED TOLERANCE				 www.attend.com.tw	
UNIT:	DECIMAL	LINEAR	ANGLES		
mm	X.	±0.50	±5°		
	X.X	±0.25	±3°		
	X.XX	±0.12	±1°		
DRAWN	Willis	2013/09/06	DRAWN NAME:		
CHECKED	Angel	2013/09/06	SIM Card Socket Hinge Type 6 Pin G/F Reel, w/Peg		
APPROVED	Ken	2013/09/06	PRODUCT NO.	115B-AAA0-R01	
	SCALE 1.2	SHEET 3/3	SIZE A4	FILE NAME	115B-AAA0-R01_B_2