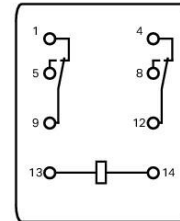


Data sheet | Item number: 858-189

Basic relay; Nominal input voltage: 230 VAC; 2 changeover contacts; Limiting continuous current: 12 A; with manual operation; Module width: 22 mm; Module height: 35mm

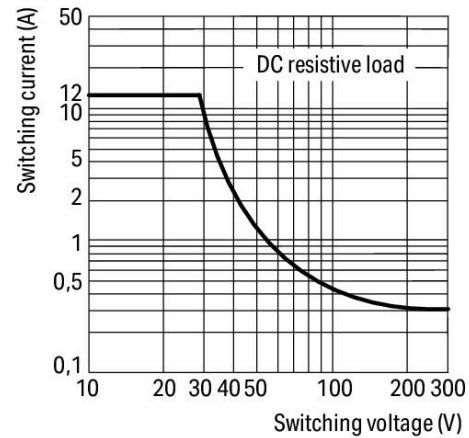
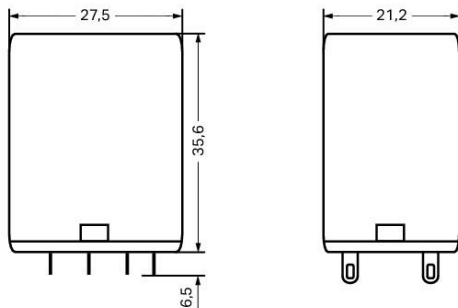


www.wago.com/858-189



 Picture differs from the item.

Similar to picture



DC load limit curve

Data

Technical data

Subject to changes. Please also observe the further product documentation!

WAGO GmbH & Co. KG
Hansastr. 27
32423 Minden
Phone: +49571 887-0 | Fax: +49571 887-169
Email: info.de@wago.com | Web: www.wago.com

Do you have any questions about our products?
We are always happy to take your call at +49 (571) 887-44222.



Control Circuit

Nominal input voltage U_N	AC 230 V
Nominal input current at U_N	11 mA

Load circuit

Number of changeover/switchover contacts	2
Contact material (relay)	AgNi
Limiting continuous current	12 A
Inrush current (resistive) max.	(AC) 24 A / 4 s
Switching voltage (max.)	AC 250 V
Switching power (resistive) max.	AC 3000 VA; DC (see load limit curve)
Switching capacity	AC-15: 1.5 A / AC 240 V; DC-13: 0.1 A / DC 250 V
Recommended minimum load	10 V / 5 mA / 300 mW
Pull-in time (typ.)	10 ms
Drop-out time (typ.)	8 ms
Electrical life (NO; resistive load; 23 °C)	100 x 10 ³ switching operations
Mechanical life	20 x 10 ⁶ switching operations
Switching frequency with/without load (max.)	20 min ⁻¹ / 200 min ⁻¹

Signaling

Status indicator	Red LED Mechanical
------------------	-----------------------

Safety and protection

Dielectric strength (control/load circuit) (AC, 1 min)	2.5 kVrms
Dielectric strength (open contact) (AC, 1 min)	1.5 kVrms
Dielectric strength (load/load circuit) (AC, 1 min)	2.5 kVrms
Protection type	IP20

Physical data

Width	21.2 mm / 0.835 inches
Height from the surface	35.6 mm / 1.402 inches
Depth	27.5 mm / 1.083 inches

Subject to changes. Please also observe the further product documentation!

WAGO GmbH & Co. KG
Hansastr. 27
32423 Minden
Phone: +49571 887-0 | Fax: +49571 887-169
Email: info.de@wago.com | Web: www.wago.com

Do you have any questions about our products?
We are always happy to take your call at +49 (571) 887-44222.



Mechanical data

Mounting type	Pluggable module
---------------	------------------

Material Data

Weight	31.5 g
--------	--------

Environmental requirements

Ambient temperature (operation at U _N)	-40 ... +55 °C
--	----------------

Ambient temperature (storage)	-40 ... +85 °C
-------------------------------	----------------

Standards and specifications

Standards/specifications	EN 61810-1
--------------------------	------------

Commercial data

eCl@ss 10.0	27-37-16-01
-------------	-------------

eCl@ss 9.0	27-37-16-01
------------	-------------

ETIM 8.0	EC001437
----------	----------

ETIM 7.0	EC001437
----------	----------

PU (SPU)	3 pcs
----------	-------

Packaging type	box
----------------	-----

Country of origin	DE
-------------------	----

GTIN	4055143693264
------	---------------

Customs tariff number	85364900990
-----------------------	-------------

Environmental Product Compliance

RoHS Compliance Status	Compliant, No Exemption
------------------------	-------------------------

Downloads

Documentation

Bid Text

858-189 X81 - Datei	2020 Aug 24	xml 4.8 kB	Download
------------------------	-------------	---------------	----------

858-189 docx - Datei	2020 Aug 24	docx 14.9 kB	Download
-------------------------	-------------	-----------------	----------

Subject to changes. Please also observe the further product documentation!



Additional Information

Disposal and Recycling Electrical and electronic equipment, Batteries, Packaging	V 1.1.0 2022 Aug 18	pdf 2.2 MB	Download
---	------------------------	---------------	----------

CAD/CAE-Data

CAE data

ZUKEN Portal 858-189	URL	Download
EPLAN Data Portal 858-189	URL	Download

CAD data

2D/3D Models 858-189	URL	Download
----------------------	-----	----------

Environmental Product Compliance

Compliance Search

Environmental Product Compliance 858-189 Basic relay; Nominal input voltage: 230 VAC; 2 changeover contacts; Limiting continuous current: 12 A; with manual operation; Module width: 22 mm; Module height: 35mm	URL	Download
--	-----	----------

Installation Notes

Subject to changes. Please also observe the further product documentation!

WAGO GmbH & Co. KG
Hansastr. 27
32423 Minden
Phone: +49571 887-0 | Fax: +49571 887-169
Email: info.de@wago.com | Web: www.wago.com

Do you have any questions about our products?
We are always happy to take your call at +49 (571) 887-44222.