

NEW

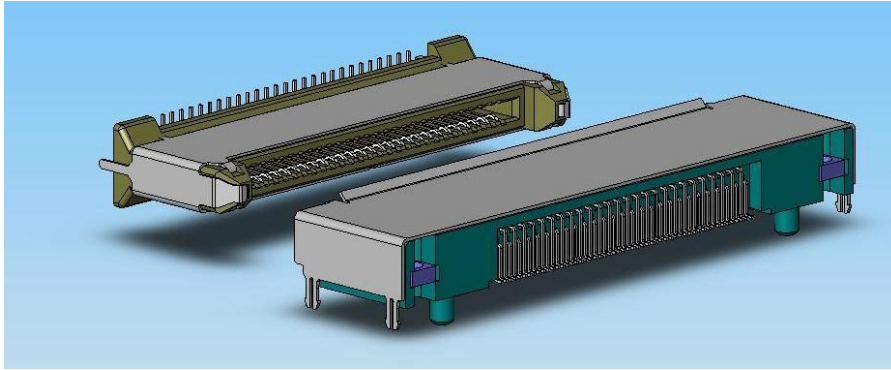

Board to Board Connector Compatible to SATA

CONNECTOR

MB-0139-2

July 2006

WM2 Series

RoHS Compliant

WM2 Series are USB2.0 and SATA (Serial ATA) compatible unit connection connectors, that can be used for the bay unit connection of notebook PCs.

Features

- Compatible to SATA and USB 2.0 transmission.
- With shell compatible to EMI
The shells (ground portion) will connect first when mating.
- Strong durability, 10,000 times mating and unmating cycle guaranteed
- Two-step live insertion structure is employed for contact.
- Comes with enough guide for blind mating. Length of guide: ± 17 mm (each direction)

General Specifications

- No. of contacts: 54 pos.
- Contact resistance: 50m ohm max.
- Dielectric withstanding voltage : AC250 per minute
- Operating temperature: -40 Deg. C to +85 Deg. C
- Rated voltage: 0.5A/ per pin
- Durability: 10,000 cycle

Materials and Finishes

Components	Materials /Finishes
Receptacle	
Contact	Copper Alloy/ Contact: 0.1um min. Au plating over Ni Terminal: Au flash plating over Ni
Insulator	Glass filled LCP (UL94V-0)
Shell	Stainless steel
Plug	
Contact	Copper Alloy/ Contact: 0.1um min. Au plating over Ni Terminal: Au flash plating over Ni
Insulator	Glass filled LCP
Shell	Stainless steel
Nut	Steel/ Ni plating M2

Ordering Information

