

## Specification of DO-35 NTC Thermistor

PART NUMBER: **TT-DO-200KC6-2**

No. of pages: 1

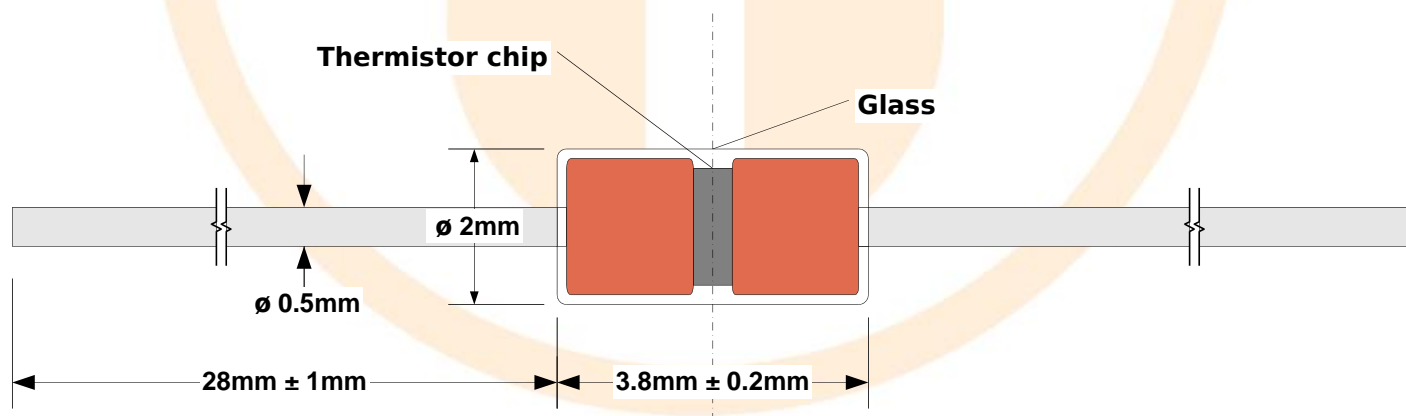
Date: **20.02.2019**

Revision: **00**

### FEATURES:

Element	DO-35 NTC Thermistor
No-load resistance at 25°C	200 000 Ω
Tolerance at 25°C	± 5%
Beta (25/85) Constant	4 263K ±2%
Operating temperature range	-40°C ÷ 250°C

### DRAWING:



UNITS: [mm]