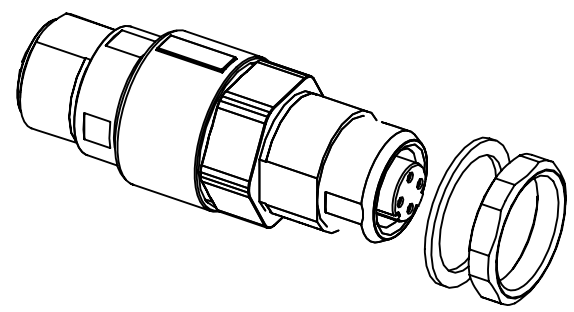
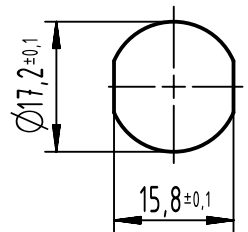
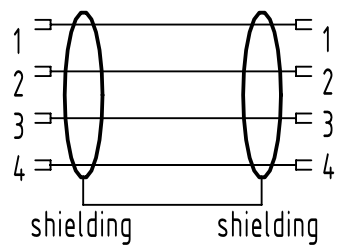


Panel cut out
(1:1)



schematic diagram



	All rights reserved Department EL PD HARTING Electronics GmbH D-32339 Espelkamp	All Dimensions in mm Original Size DIN A4	Scale 2:1	Free size tol.	Ref. Sub.
		Created by 104122	Inspected by WELLMANN	Standardisation 302077	Date 2020-10-21
Title M12 D-Coded gender changer					Doc-Key / ECM-Nr. 100516695/UGD/015/F 500000181319
Type TB			Number 21033816401		Rev. F
					Page 1/1