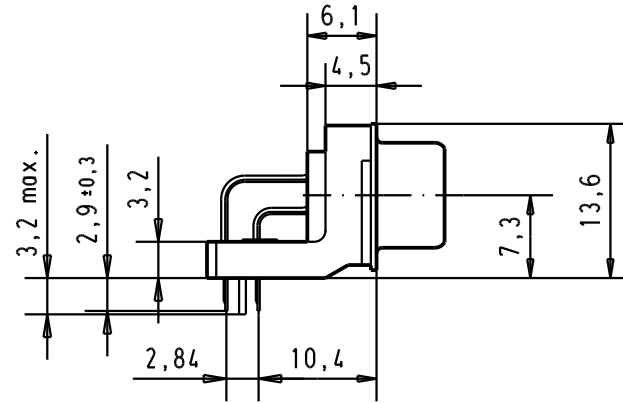
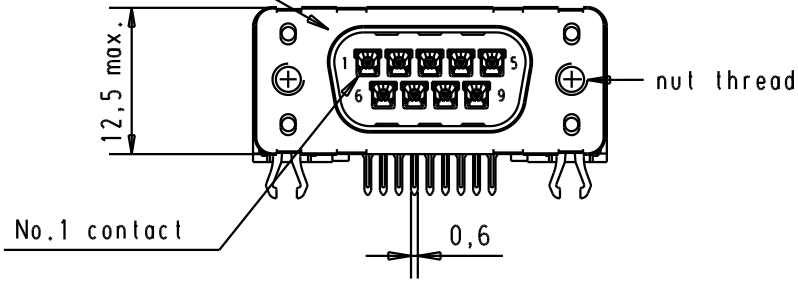
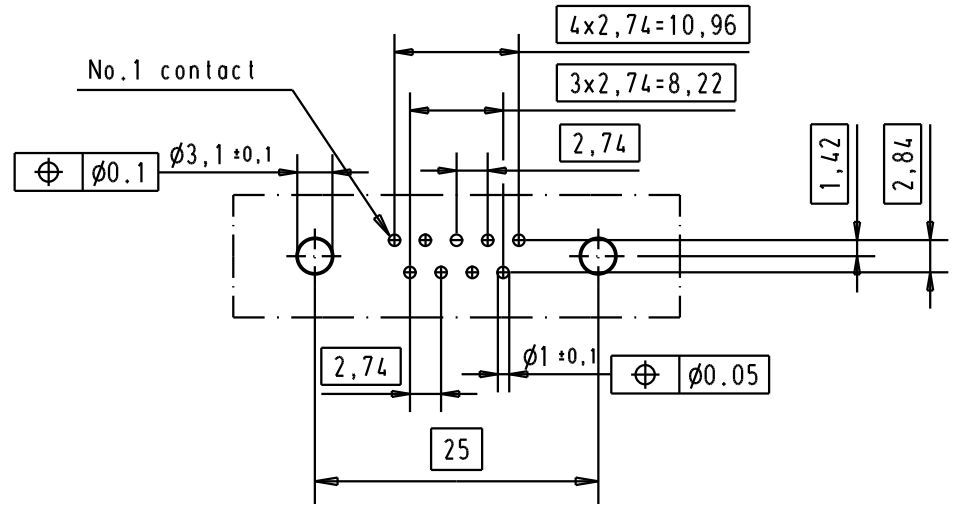
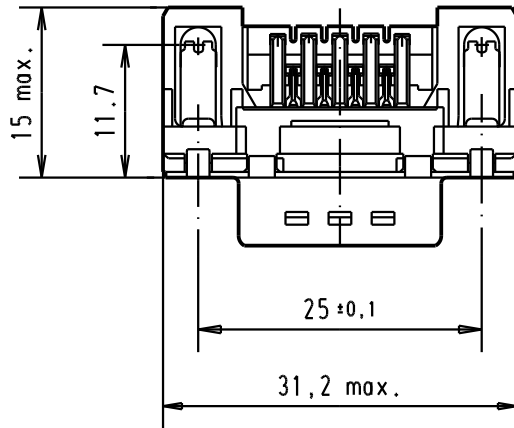


5 4 3 2 1

Mating face according to : MIL-C-24308 / DIN 41652 / CECC 75301-802



Printed board layout component side



Connector retention and insertion forces on the PCB = 25 / 80 newtons

A	09 65 167 3811	M3	1							<p>All Dim. in mm Orig. Size DIN A 4</p>	D-Sub, High temperature, male, standard, 9 poles, with solder pins 2,9 mm, nuts and grounding board lock.	Maßstab/ Scale 1.5:1
	09 65 167 6811	M3	2				Detail.	05/03/02	CV			
	09 65 167 7811	M3	3				Insp.					
	09 65 167 3812	4-40 UNC	1				Stand.					
	09 65 167 6812	4-40 UNC	2	31892	23/04/04	JH	HARTING EURL F-95972 Paris					
09 65 167 7812	4-40 UNC	3	29723	05/03/02	CV							
	Part number	Nut thread	Performance level	Mod.	Dat.	Name				TB 0965167x81x Sub.	Blatt/ Page 1/	