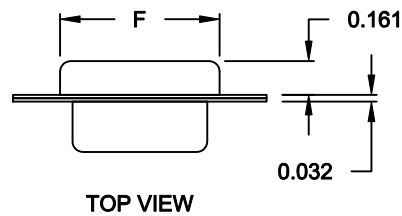


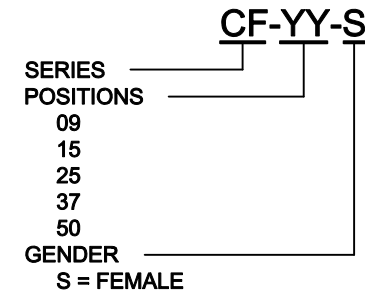
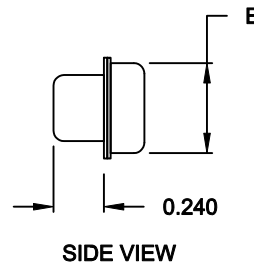
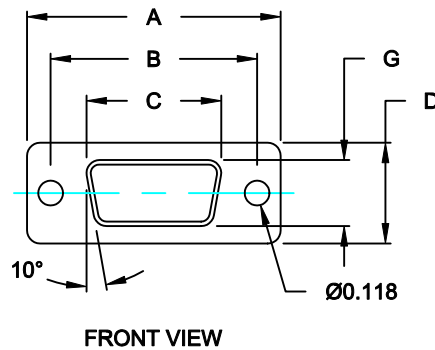
MATERIAL:

SHELL: STEEL, TIN PLATED

****NOTE: COVER IS USED TO COVER MALE CONNECTORS**



No. OF PINS	DIMENSIONS (IN.)						
	A	B	C	D	E	F	G
9	1.205	0.984	0.642	0.480	0.429	0.760	0.315
15	1.535	1.311	0.969	0.480	0.429	1.083	0.315
25	2.079	1.850	1.512	0.480	0.429	1.630	0.315
37	2.724	2.500	2.157	0.480	0.429	2.278	0.315
50	2.622	2.406	2.059	0.598	0.535	2.182	0.433



BACK VIEW
SHOWN FOR CLARITY

DO NOT SCALE FROM DRAWING



THESE DRAWINGS AND SPECIFICATIONS ARE THE PROPERTY OF NorComp AND SHALL NOT BE REPRODUCED, COPIED OR USED AS THE BASIS FOR THE MANUFACTURE OF SALE OF APPARATUS WITHOUT WRITTEN PERMISSION.

DRAWN: C. SMITH

DATE: 01-17-08

CHECKED:

DATE:

NorComp

SCALE: 1:1 SHEET 1 OF 1 REV 2

DWG NO. CFYYS

RoHS COMPLIANT