

## SPECIFICATIONS SHEET

**PRODUCT TYPE : MECHANICAL BUZZER**

**PRODUCT SERIES : BS2620PH-06-C**

**DESCRIPTION : MC BUZZER SINGLE 6VDC ABS RoHS SP**

**1) 5mm PL 2) GOLD PLATE 3) ADD LABEL MARKING "INTERVOX"**  
**"BS2620PH-06-C" & "DATE CODE"**

**COLOR : IVORY**

### ELECTRICAL SPECIFICATIONS

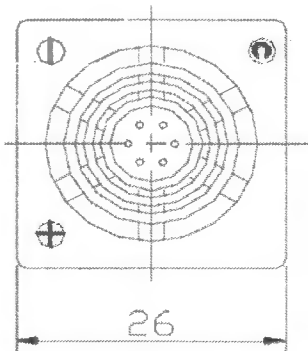
MODEL NO.	BS2620PH-06-C	
OPERATING VOLTAGE RANGE	( VDC )	4.0 ~ 8.0
RATED VOLTAGE	( VDC )	6.0
* MAX. RATED CURRENT	( mA )	50.0
* MIN. SOUND OUTPUT	( dBA/ 100 cm )	75.0
* FREQUENCY	( Hz )	400 ± 100
TONE NATURE		SINGLE
OPERATING TEMPERATURE	( ° C )	- 20.0 ~ + 60.0
STORAGE TEMPERATURE	( ° C )	- 30.0 ~ + 70.0
TERMINAL		PIN
HOUSING MATERIAL		ABS
WEIGHT	( g )	17.0

\* Value applying at rated voltage

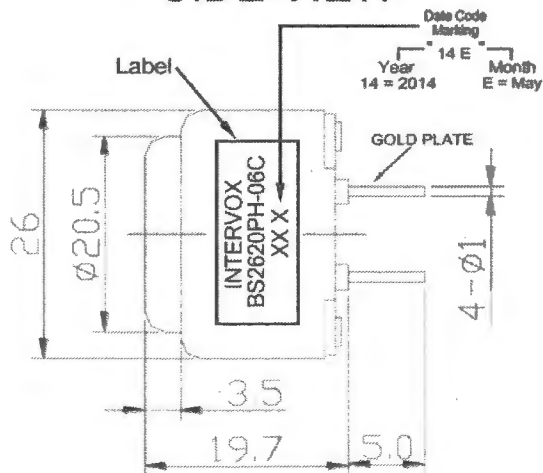
### DIMENSIONS

UNIT : mm      Tolerance : ± 0.5 mm

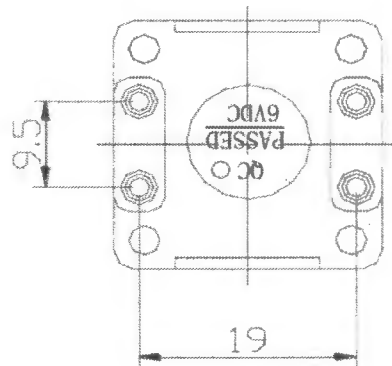
**TOP VIEW**



**SIDE VIEW**



**BOTTOM VIEW**



Approved By : FG  
 Date : 14-May-2014

Prepared By : G16  
 Date : 14-May-2014

Modify :	Date :	By :