

1 2 3 4 5 6

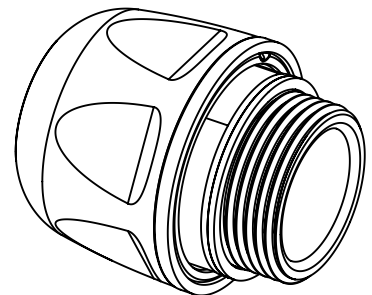
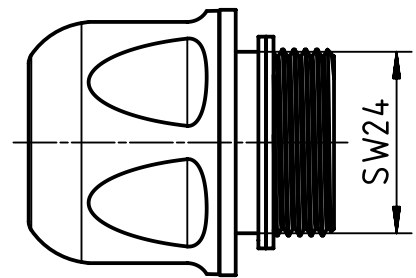
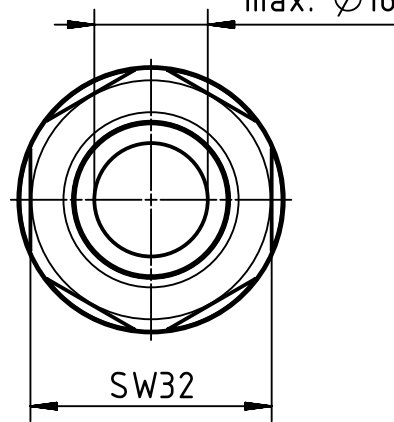
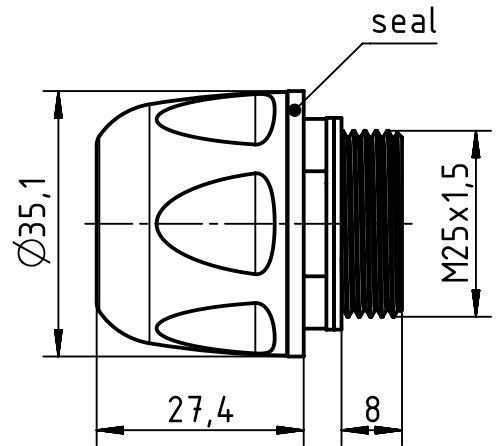
A

B

C

D

cable
min. $\varnothing 13$
max. $\varnothing 16$



	All Dimensions in mm Original Size DIN A4	Scale	Free size tol.		Ref.	
		1:1			Sub.	
	All rights reserved Department EL PD	Created by	Inspected by	Standardisation	Date	State
		HELLMANN	RIEPE	GARSKE	2020-01-17	Final Release
HARTING Electric GmbH & Co. KG D-32339 Espelkamp		Title HAN CGM-P F+B M25X1,5 D. 13-16 nature			Doc-Key / ECM-Nr. 100791423/UGD/001/B 500000164789	
		Type	Number	Rev.		Page
		TB	19 15 523 5197	B		1/1