

8

7

6

5

4

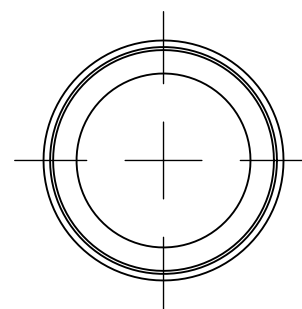
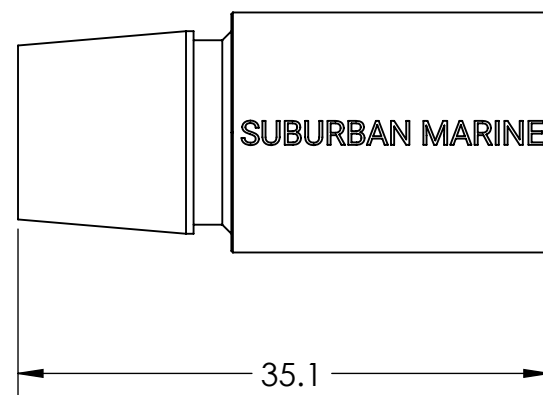
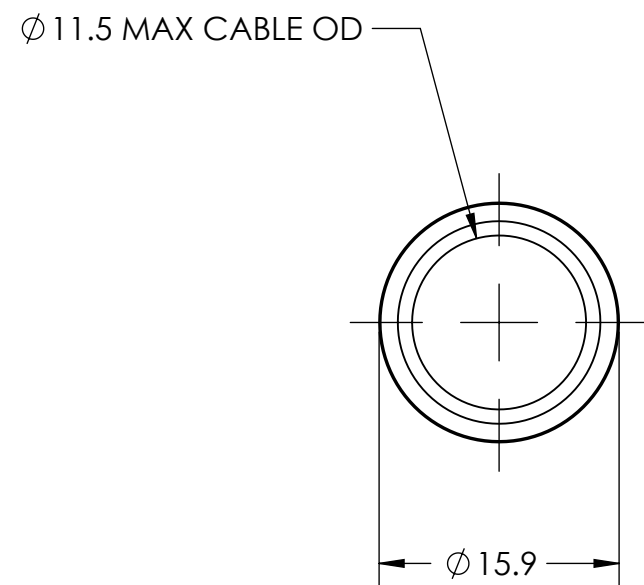
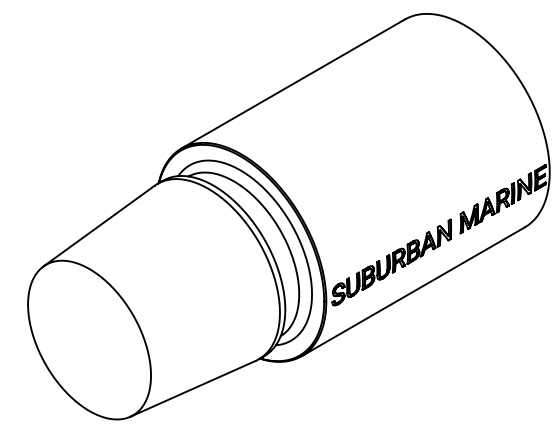
3

2

1

COPYRIGHT 2021 © SUBURBAN MARINE
 THE INFORMATION CONTAINED IN THIS DRAWING IS THE
 SOLE PROPERTY OF SUBURBAN MARINE, INC. ANY
 REPRODUCTION IN PART OR AS A WHOLE WITHOUT THE
 WRITTEN PERMISSION OF SUBURBAN MARINE, INC IS
 PROHIBITED.

REVISIONS			
ZONE	REV.	DESCRIPTION	DATE
	A	INITIAL RELEASE	3/19/2021



UNLESS OTHERWISE SPECIFIED:	NAME	DATE
DIMENSIONS ARE IN mm	DRAWN	MM 20210319
ANGULAR ± 1°	CHECKED	
X ± 1.0mm	APPROVED	
.X ± 0.4mm	APPROVED	
.XX ± 0.1mm		
INTERPRET GEOMETRIC TOLERANCING PER: ISO 2768-mK	THIRD ANGLE PROJECTION:	
MATERIAL NONE		
FINISH NONE		
WEIGHT:	DO NOT SCALE DRAWING	



TITLE:
INLINE BACKSHELL, SIZE A

SIZE	DWG. NO.	REV
B	BM-A-IL-A-X	A

SCALE: 2:1 SHEET 1 OF 1

8

7

6

5

4

3

2

1