



Part Change Notice

1/21/2020

Company: KYCON, Inc.
305 Digital Dr.
Morgan Hill, CA 95037
USA
408-494-0330

Re: GDLX-S-88 SERIES

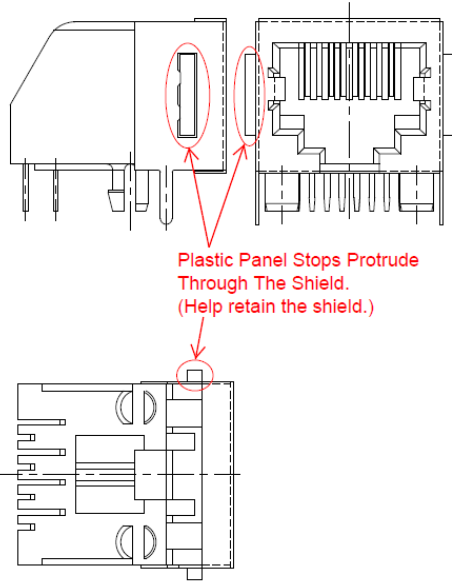
Please note the shield design changed for the GDLX-S series. The attached redline details the changes. There is no functional issue due to this change.

The package increments and mins have changed. Please make a note in your system.

PN	Old Tray	Old Box	Old Min	New Tray	New Box	New Min
GDLX-S-88	180	2160	540	190	2280	570
GDLX-S-88-50	180	2160	540	190	2280	570
GDLX-S-88K	180	2160	1080	190	2280	1140
GDLX-S-88K-50	180	2160	1080	190	2280	1140

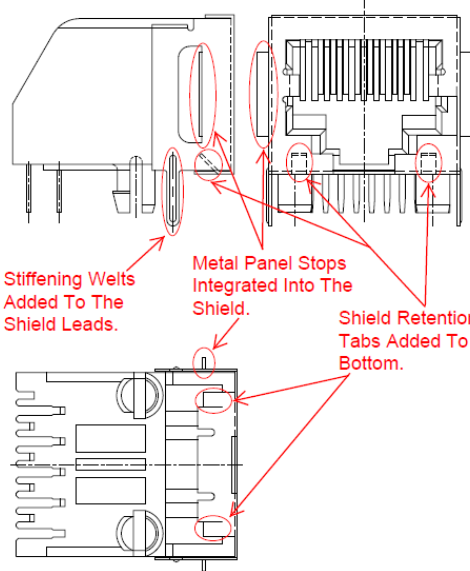
KYCON, Inc. 305 Digital Drive, Morgan Hill, CA 95037 (408)494-0330

WAS: (Rev. A5)



Plastic Panel Stops Protrude Through The Shield. (Help retain the shield.)

IS: (Rev. A6)



Stiffening Welts Added To The Shield Leads.

Metal Panel Stops Integrated Into The Shield.

Shield Retention Tabs Added To Bottom.

Materials and Finish

Housing Material-
PBT Thermoplastic
UL 94V-0 Rated
Color: Black

Shield Material-
Nickel Plated Copper Alloy

Contact Material-
Phosphor Bronze

Contact Plating Options-
Standard: 0.0001" Nickel
Plating, Selective Plating
Gold Flash on Contact
Area, Tin plated
termination end

50: 0.0001" Nickel Plating,
Selective Plating 0.000050"
Gold on Contact Area to
Comply with FCC Requirements
Under No. 47 C.F.R. Part 68,
Subpart F.
Tin plated on termination end

Electrical Characteristics

Current Rating-
1.5 Amps

Voltage Rating-
125V DC

Insulation Resistance-
500 Megohms Min.

Dielectric Withstanding Voltage-
1000V rms, 60Hz

Contact Resistance-
20 milliohms Max.

Operating Temperature-
-40°C to +85°C

Part Number	Contact Area Plating Finish
GDLX-S-88	Gold Flash (standard)
GDLX-S-88-50	50u" Gold (50 option)

Tolerances
X.X ± 0.25
X.XX ± 0.15
Unless Stated Otherwise



REV.	DATE	DESCRIPTION	REV. BY	CHK. BY	DRAWN BY	DATE
A1	05/18/05	New Drawing	R. Aguirre	H. MA	R. Aguirre	05/18/05
A2	05/12/10	ECO #19-025	S. Vilen	H. MA		
A3	11/06/15	ECO #19-084	W. Cook	H. MA		
A4	04/13/15	ECO #19-201	H. MA	G. Furumasa		
A5	05/19/17	ECO #17-014	H. MA	G. Furumasa		
A6	12/18/19	ECO #19-071	G. Sarato	D. Sheehan		

GDLX-S-88
REV A5 vs. REV A6

Modular Jack, Right angle, RoHS Compliant

8 Pos, 8 Contacts, shielded



Please contact your sales representative with any questions.

Jill Sar

Signature: _____

Name: Jill Scarnecchia Phone: 408-494-0330