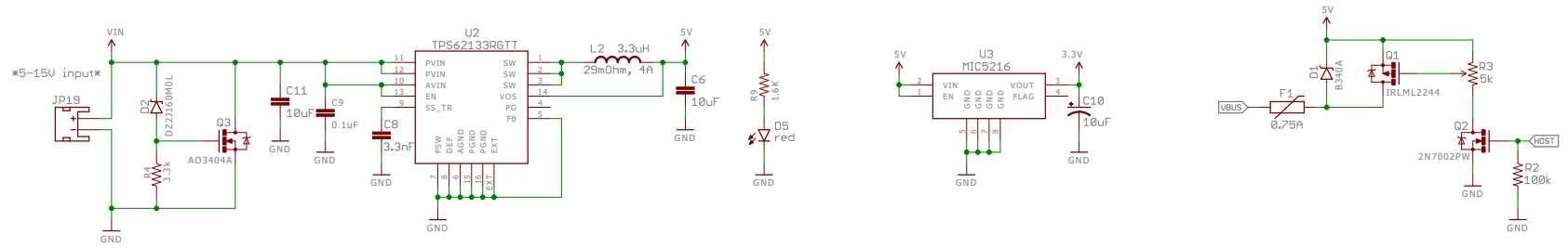
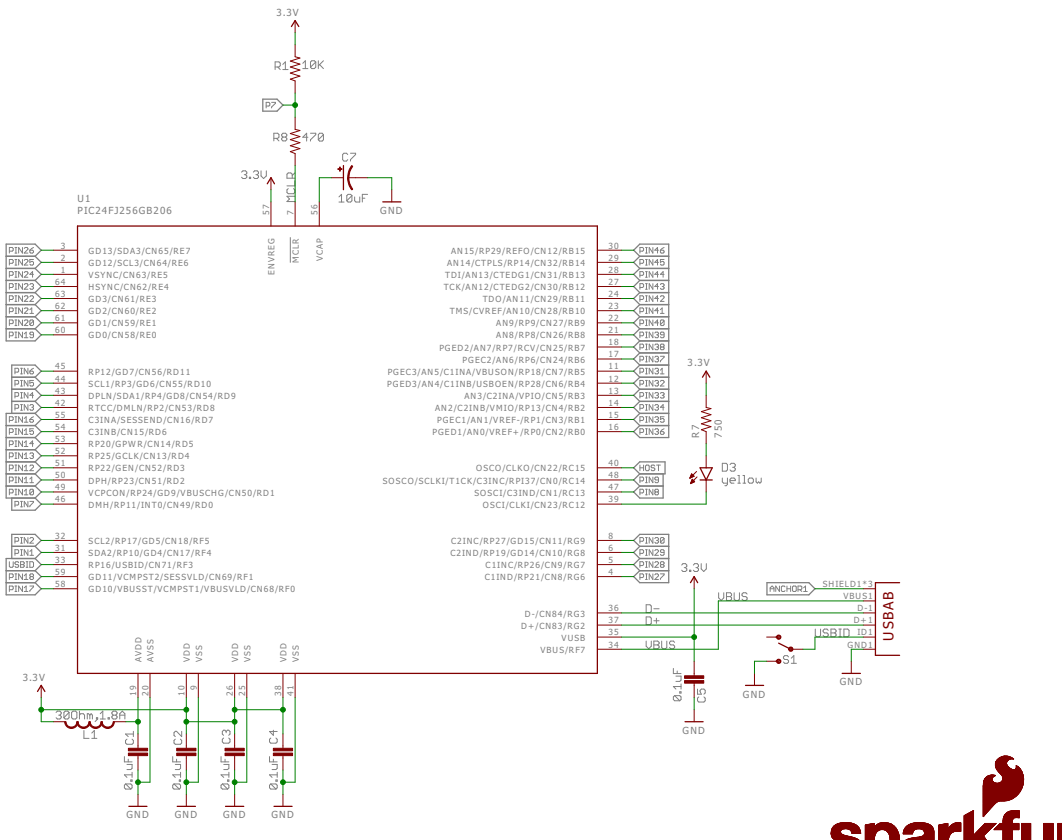


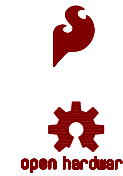
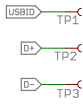
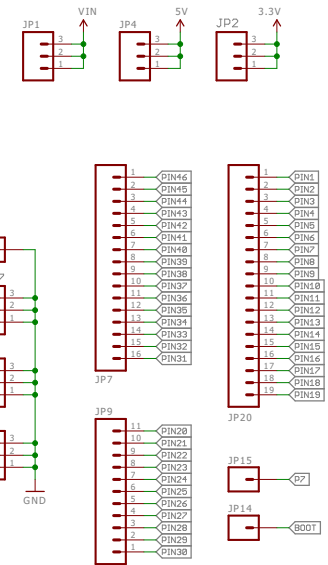
Power Control



MCU



Footprint Pinout



Released under the Creative Commons Attribution Share-Alike 4.0 License
<https://creativecommons.org/licenses/by-sa/4.0/>

TITLE: IOIO-OTG_v22b

Design by: Ytai Ben-tsvi
 revised by: AWeiss, Pete Lewis

REV: v22b

Date: 4/4/2016 11:55 AM

Sheet: 1/1

IOIO label