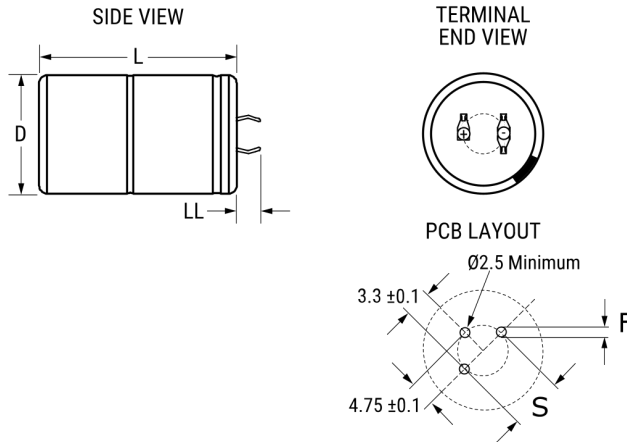


ALA8DF561DF450

Aliases (A543EH561M450F)

ALA8D, Aluminum Electrolytic, 560 uF, 20%, 450 VDC, -40/+105°C



Click [here](#) for the 3D model.

Dimensions

D	35mm +1mm
L	50mm +/-2mm
S	10mm +/-0.1mm
LL	4mm +/-1mm
F	2mm +/-0.1mm

Packaging Specifications

Packaging	Bulk, Bag
Packaging Quantity	100

General Information

Series	ALA8D
Dielectric	Aluminum Electrolytic
Description	Snap-In, Aluminum Electrolytic
RoHS	Yes
Lead	3 Pin
Qualifications	AEC-Q200
AEC-Q200	Yes
Halogen Free	Yes
Component Weight	80 g
Miscellaneous	Vibration: <= 35mm 1.5mm displacement amplitude or 20G maximum acceleration. Vibration applied for three directions of 4-hour sessions at 10 - 2,000 Hz. (Capacitor clamped by body.)
Shelf Life	156 Weeks

Specifications

Capacitance	560 uF
Capacitance Tolerance	20%
Voltage DC	450 VDC, 495 VDC (Surge)
Temperature Range	-40/+105°C
Rated Temperature	105°C
Life	8000 Hrs (Rated Voltage And Ripple Current At 105C), 13000 Hrs (Rated Voltage At 105C)
Resistance	248.2 mOhms (100Hz 20C), 146.4 mOhms (10kHz 20C)
Ripple Current	2.98 Amps (100Hz 105C), 7.41 Amps (10kHz 105C)
Leakage Current	756 uA (5min 20°C)

Statements of suitability for certain applications are based on our knowledge of typical operating conditions for such applications, but are not intended to constitute - and we specifically disclaim - any warranty concerning suitability for a specific customer application or use. This information is intended for use only by customers who have the requisite experience and capability to determine the correct products for their application. Any technical advice inferred from this information or otherwise provided by us with reference to the use of our products is given gratis, and we assume no obligation or liability for the advice given or results obtained.