

Material and Finish

Body: PBT Thermoplastic,
UL94V-0 Rated
Color: Black

Contacts:
Pins: Brass, Tin Plated
Ground: Brass, Tin Plated
Shield:
Brass, Nickel Plated

Electrical Characteristics

Contact Rating (Per Pin):
7.5A Max. @ 48V DC

Insulation Resistance:
50 Megohms Min @ 250V DC

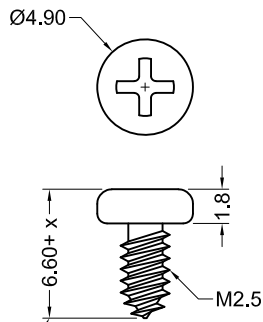
Dielectric Withstanding Voltage:
500V AC RMS for 1 Minute

Contact Resistance:
30 milliohms Max.

Mechanical Characteristics

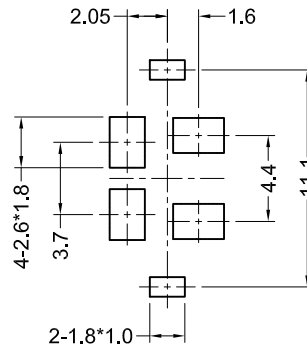
Operating Temperature:
-40°C to 75°C

Note:
Recommended for use
with Kycon KPPX plug.



X = Panel Thickness

Recommended Mounting Screw



Recommended PCB Layout



Tolerances
X.X ± 0.35
X.XX ± 0.25
Unless Stated
Otherwise

REV.	DATE	DESCRIPTION	REV. BY	CHK. BY	DRAWN BY	DATE
B9	09/18/15	ECO #15-010	C. Kelleher	W. Cook		
B10	02/29/16	ECO #16-005	C. Kelleher	W. Cook	A. Frederick	05/09/07
B11	08/12/16	ECO #16-021		H. MA	W. Cook	
B12	10/05/18	ECO #18-051	G. Serrato	D. Shehan		
B13	03/18/19	ECO #19-028	C. Kelleher	D. Shehan		
C0	05/06/19	ECO #19-043	C. Kelleher	D. Shehan		

KPJX-PM-4S-S

Power Jack, RoHS Compliant

4 Pin, Shielded, Panel Mount

