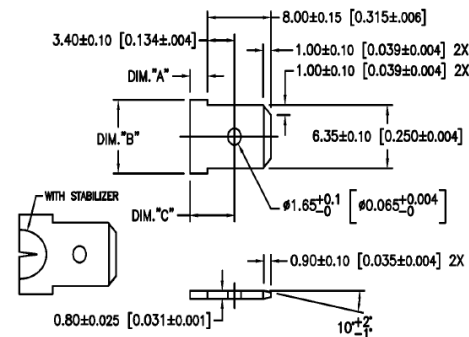


THIS DRAWING CONTAINS INFORMATION THAT IS PROPRIETARY TO J.S.T. AND SHALL NOT BE USED OR SHOWN WITHOUT WRITTEN PERMISSION.

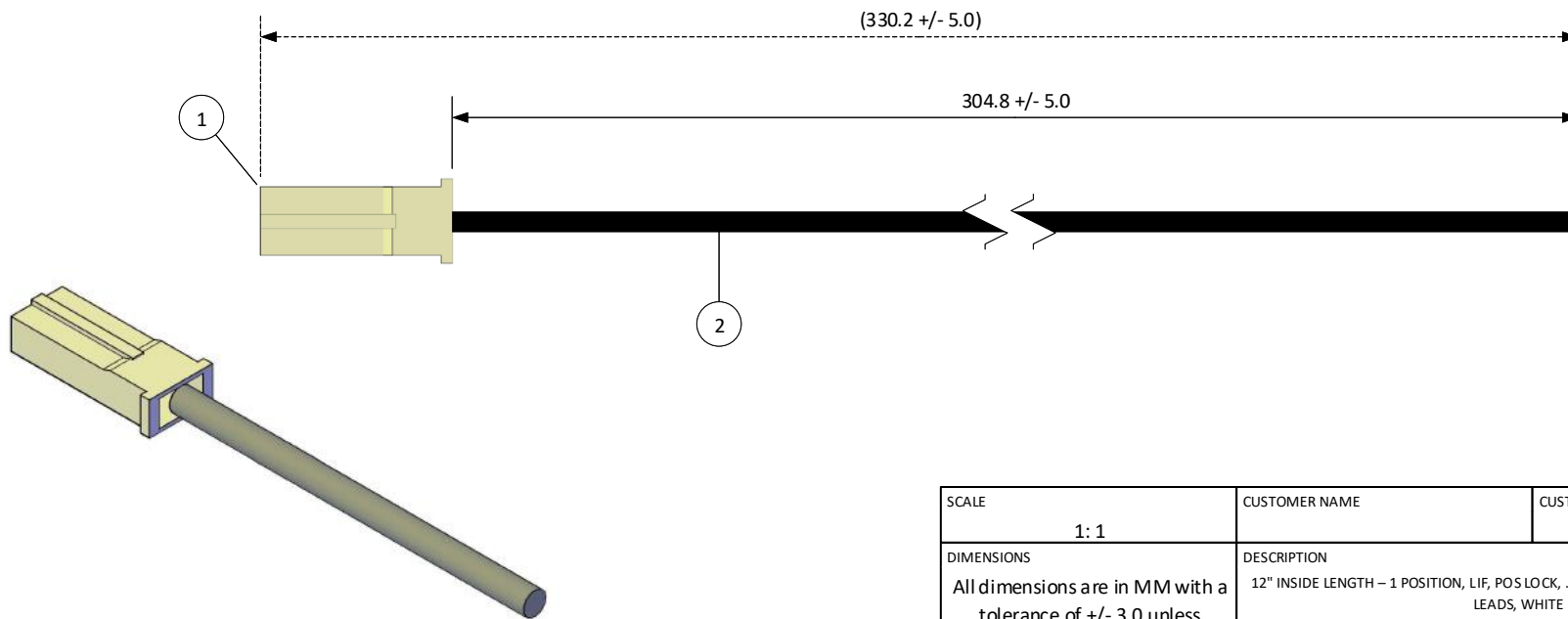
ITEM	CONNECTOR PART NO.	DESCRIPTION	IPI CHECK		EOR CHECK		Applicable Tooling		
							APPLICATOR		
1	RSFP-LP-1V-R-250	RSF CONNECTOR WHITE HOUSING, W-W							
2	SRSF-61-250A	RSF CONTACT - BRASS							
3	UL1015, 16 AWG	BLACK							

SUGGESTED MATING TAB
NO SCALE

	WITHOUT STABILIZER	WITH STABILIZER
DIM. "A"	2.20 [0.087] MIN.	4.20±0.15 [0.165±0.006]
DIM. "B"	7.40 [0.291] MIN.	7.98 [0.314] MIN.
DIM. "C"	5.90 [0.232] MAX.	(7.6)



MATING TAB NOTES:
4. MATL: BRASS.
FINISH: SUGGESTED NO PLATING.



SCALE	CUSTOMER NAME	CUSTOMER PART NO.
1:1		
DIMENSIONS	DESCRIPTION	
All dimensions are in MM with a tolerance of +/- 3.0 unless otherwise specified.	12" INSIDE LENGTH - 1 POSITION, .250, W-W INSULATED PLUG W/BLUNT LEADS, WHITE HSG MATES W/W-W RECP T01RSFR16 K3055	
DRAWN BY	ASSEMBLY PART NO.	
STEVEN PILKINGTON	A01RSFP16K3055	
CHECKED BY	DRAWING NO. & REVISION	REVISED
JUSTIN BAKER	GAM-111	3/11/2016

REV.	DESCRIPTION	DATE	BY
------	-------------	------	----

4

3

2

1

A

A

B

B

C

C

D

D