

Material:

* Insulation:

Glass Filled Polyester UL 94V-0

* Contact: Phosphor Bronze

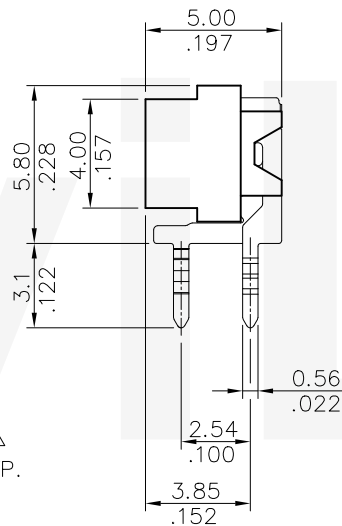
DIM.A= 1.27 x No. of Spaces

DIM.B= DIM.A + 5.87

DIM.C= DIM.A + 1.80

DIM.D= DIM.A + 3.27

*Available in 4 ~ 26 Circuits



Ordering Code:

CA32 ** H 1 3 * *
 ① ② ③ ④ ⑤ ⑥ ⑦

① Series No.:

② No. of Circuits: 04 to 26

③ Contacts Type:

H= Right Angle Type

④ Plating option:

1= Tin over Nickel plated
 (Matte Tin plated)

⑤ Color: 3= Red

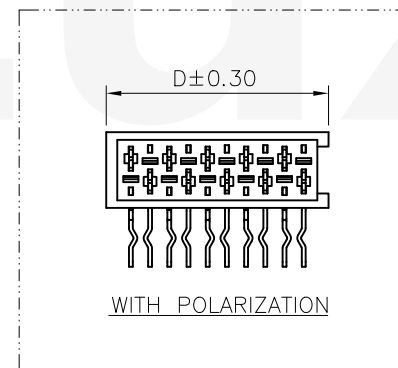
⑥ Option: 0=Tube Packing

R=Tape & Reel Packing

⑦ Other Option:


0= Without Latch & With Polarization

L= With Latch

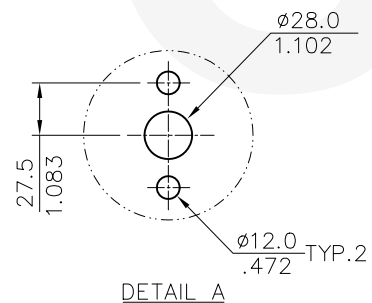
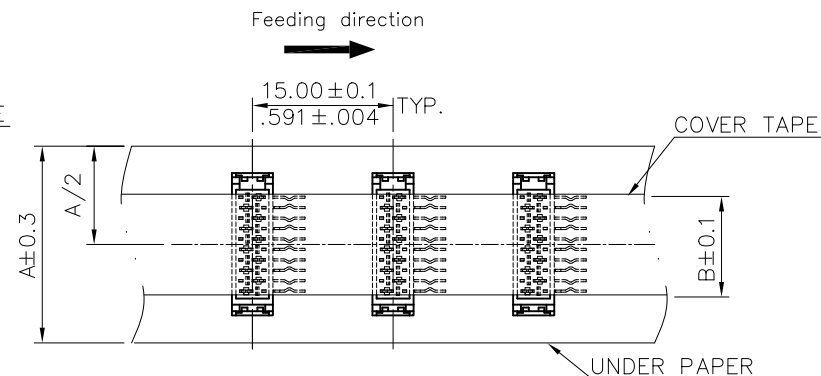
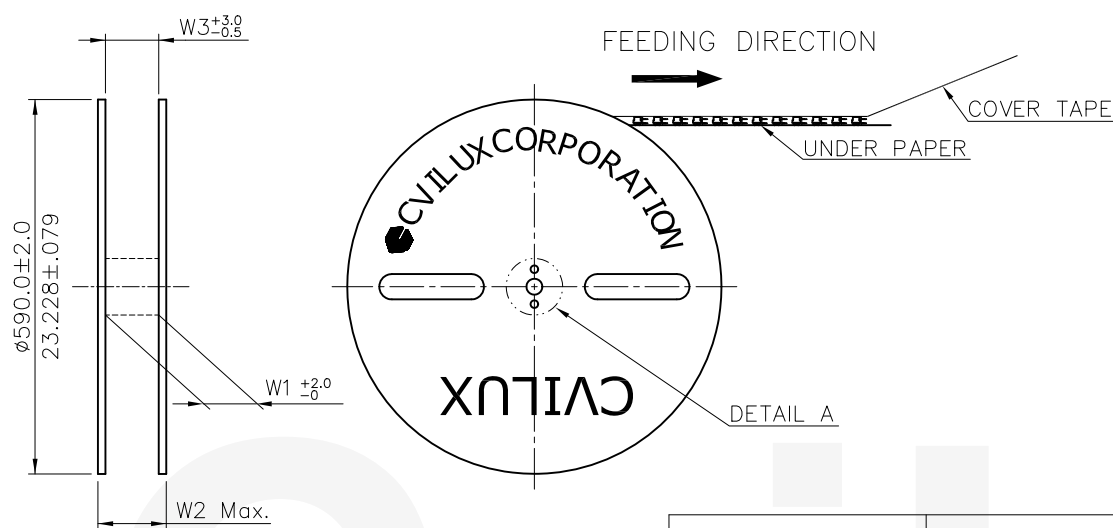


Lead Free Process

RoHS Compliant

④	Sun	3/11-16'	ECRT116009/ECNT116035		DATE	UNIT: mm / inch	TITLE: 1.27mm Pitch Female Side entry DIP Type Connector	 瀚荃股份有限公司 CviLux Corporation	DRAWING NO. CA3201SE	PART NO. CA32**H13**	SCALE 4 / 1	SHEET 1 OF 2
③	Karen	5/26-09'	ECN09267	DRAWN BY: Sun	3/14-16'	TOLERANCE UNLESS OTHERWISE SPECIFIED	MATERIAL:					
②	Sandy	10/04-07'	ECN07378	ENGINEER: Sun	3/14-16'	.X ± 0.30/.012 X' ± 1'	FINISH:					
①	Bill	6/14/07'	ECR07072-0/ECN07243	CHECKED BY: Eisley	3/15-16'	.XX ± 0.20/.008 .X' ±						
SYM	NAME	DATE	REVISIONS	APPROVED BY: Eisley	3/15-16'	.XXX ± 0.10/.004 .XX' ±						


CIVILUX CORP
 2016.03.17
 ISSUED



Circuits	Dimension				
	A	B	W1	W2	W3
4	11.0(.433)	6.0(.236)	13.0(.512)	23.0(.906)	13.0(.512)
6	17.0(.669)	6.0(.236)	18.0(.709)	28.0(1.102)	18.0(.709)
8	17.0(.669)	6.0(.236)	18.0(.709)	28.0(1.102)	18.0(.709)
10	21.0(.827)	6.0(.236)	22.0(.866)	32.0(1.260)	22.0(.866)
12	21.0(.827)	6.0(.236)	22.0(.866)	32.0(1.260)	22.0(.866)
14	24.0(.945)	6.0(.236)	25.0(.984)	35.0(1.378)	25.0(.984)
16	29.0(1.142)	6.0(.236)	30.0(1.181)	40.0(1.575)	30.0(1.181)
18	29.0(1.142)	6.0(.236)	30.0(1.181)	40.0(1.575)	30.0(1.181)
20	32.0(1.260)	6.0(.236)	33.0(1.299)	43.0(1.693)	33.0(1.299)
22	36.0(1.417)	6.0(.236)	37.0(1.457)	47.0(1.850)	37.0(1.457)
24	36.0(1.417)	6.0(.236)	37.0(1.457)	47.0(1.850)	37.0(1.457)
26	39.0(1.535)	6.0(.236)	40.0(1.575)	50.0(1.969)	40.0(1.575)

* Quantity : 2500 PCS/Reel/Caton

RoHS Compliant

SYM	NAME	DATE	REVISIONS	APPROVED BY:	DATE	UNIT: mm / inch	TITLE: TAPE & REEL PACKAGING FOR CA32 SERIES SMT TYPE	 瀚荃股份有限公司 CviLux Corporation			
4	Sun	3/11-16'	ECRT116009/ECNT116035					DRAWING NO. CA3201SE	PART NO. CA32**H13**	SCALE	SHEET 2 OF 2
3	Karen	5/26-09'	ECN09267	DRAWN BY: Sun	3/14-16'	TOLERANCE UNLESS OTHERWISE SPECIFIED	MATERIAL:				
2	Sandy	10/04-07'	ECN07378	ENGINEER: Sun	3/14-16'	.X ±	X' ± 1'	FINISH:			
1	Bill	6/14/07'	ECR07072-0/ECN07243	CHECKED BY: Eisley	3/15-16'	.XX ±	.X' ±				
				APPROVED BY: Eisley	3/15-16'	.XXX ±	.XX' ±				

CVILUX CORP
2016.03.17
ISSUED